

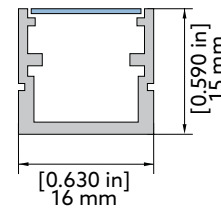
## AH-05M SPECIFICATION SHEET

### Article No.:

Project	Date
Notes	Quantity

AH-05M surface-mounted lighting fixture is one of our smallest fixtures with homogeneous light effect. Ideal for task, accent lighting and a perfect pick for decorative backlighting. Take advantage of widest CCT range or customize

AH-05M with Tunable white, RGB, RGBW LED strip to create stunning projects with continuous lighting effect. Fixtures can be linked up to 14m (46') depending on the output.



**HOUSING COLORS**

- Gray - AG
- White - PW
- Black - PB
- Custom (RAL)

### ORDER CODE

MODEL	SEGMENT	WIRE	CONNECTOR	COVER	LED SOURCE	WATTAGE	CRI	CCT	CRI	CCT	HOUSING COLOR	SEGMENT LENGTH
<b>AH-05M</b>												
<b>SEGMENT</b>	<b>L</b> luminaire	<b>S</b> start	<b>M</b> middle	<b>E</b> end	<b>F</b> full set							
<b>WIRE</b>	<b>E</b> end <small>*for Luminaire &amp; Full Set only</small>		<b>S</b> side	<b>B</b> back								
<b>CONNECTOR</b>	<b>C</b> connector	<b>T</b> tinned ends										
<b>COVER</b>	<b>OP</b> opal	<b>CL</b> clear										
<b>LED SOURCE</b>	<b>FL-112/N3</b> static white 62.5 mm (2.46")	<b>FL-112/D3</b> static white 62.5 mm (2.46")	<b>TW-56/N3</b> tunable white 125 mm (4.92")	<b>TW-56/D3</b> tunable white 125 mm (4.92")	<b>RGB-96/N3</b> RGB 62.5 mm (2.46")	<b>RGBW-48/N3</b> RGB+W 125 mm (4.92")						
<b>WATTAGE</b>	<b>4</b> 4W/m 1.5W/ft static white	<b>9</b> 9.6 W/m 2.9 W/ft static white, TW	<b>14</b> 14.4 W/m 4.4 W/ft static white, RGB+W	<b>17</b> 17.3 W/m 5.3 W/ft RGB	<b>19</b> 19.2 W/m 5.9 W/ft static white, TW, RGB+W							
<b>CRI</b>	<b>8</b> CRI 80+	<b>9</b> CRI 90+	<b>0</b> CRI 95+ <small>*for FL-112/N3 &amp; TW-56/N3 only</small>									
<b>CCT</b>	<b>20</b> 2000K <small>*for FL-112/N3 &amp; TW-56/N3 only</small>	<b>22</b> 2200K	<b>25</b> 2500K <small>*for FL-112/N3 &amp; TW-56/N3 only</small>	<b>27</b> 2700K	<b>30</b> 3000K	<b>35</b> 3500K	<b>40</b> 4000K	<b>50</b> 5000K	<b>57</b> 5700K <small>*not available for RGBW-48/O3</small>	<b>65</b> 6500K		
<b>CRI</b>	<b>8</b> for tunable white only CRI 80+	<b>9</b> CRI 90+	<b>0</b> CRI 95+									
<b>CCT</b>	<b>20</b> for tunable white only 2000K <small>*for FL-112/N3 &amp; TW-56/N3 only</small>	<b>22</b> 2200K	<b>25</b> 2500K <small>*for FL-112/N3 &amp; TW-56/N3 only</small>	<b>27</b> 2700K	<b>30</b> 3000K	<b>35</b> 3500K	<b>40</b> 4000K	<b>50</b> 5000K	<b>57</b> 5700K	<b>65</b> 6500K		
<b>HOUSING COLOR</b>	<b>AG</b> anodized gray	<b>PW</b> painted white	<b>PB</b> painted black	<b>CUSTOM COLOR</b> contact sales								

### SEGMENT LENGTH

For 62.5mm (2.46") LED strip cutting increment	Imperial 4.9"	7.4"	9.8"	1' 0.3"	1' 2.8"	1' 5.2"	1' 7.7"	1' 10"	2' 0.6"	2' 3.1"	2' 5.5"	2' 8"	2' 10"	3' 0.9"	3' 3.4"	3' 5.9"	3' 8.3"	3' 11"	4' 1.2"	4' 3.7"	4' 6.1"	4' 8.6"	4' 11"	5' 1.5"
mm 125	188	250	313	375	438	500	563	625	688	750	813	875	938	1000	1063	1125	1188	1250	1313	1375	1438	1500	1563	
For 125mm (4.92") LED strip cutting increment	Imperial 4.9"	9.8"	1' 2.8"	1' 7.7"	2' 0.6"	2' 5.5"	2' 10"	3' 3.4"	3' 8.3"	4' 1.2"	4' 6.1"	4' 11"	5' 4"	5' 8.9"	6' 1.8"	6' 6.7"	6' 12"	7' 4.6"	7' 9.5"	8' 2.4"	8' 7.3"	9' 0.3"	9' 5.2"	9' 10"
mm 1625	1688	1750	1813	1875	1938	2000	2063	2125	2188	2250	2313	2375	2438	2500	2563	2625	2688	2750	2813	2875	2938	3000		

Possible allowed deviation of optical and electrical values are ±15%. Allowed measurement uncertainty ±7%. All values in datasheet are for reference only and customers should take these values on their own risk. Holectron reserves the right for changes without prior notice.

**COVERS**

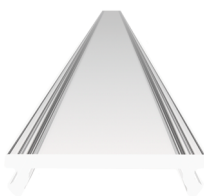
**OP - Opal**

70% light transmission



**CL - Clear**

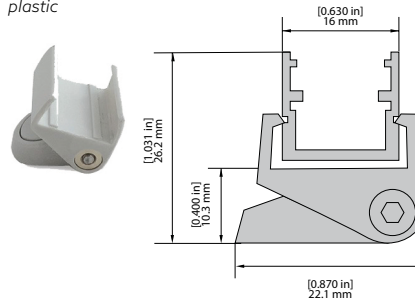
95% light transmission



**BRACKETS**

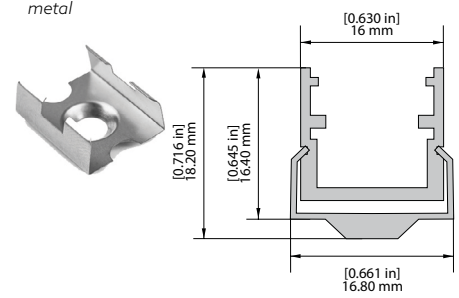
**AH.FIX-05**

plastic



**AH.FIX-01**

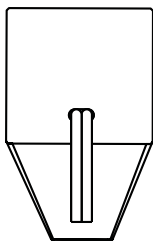
metal



**WIRE**

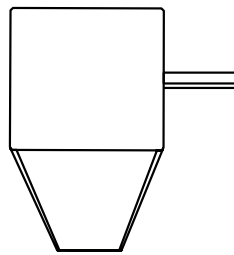
**E - END EXIT WIRE**

wire comes out from profile through endcap



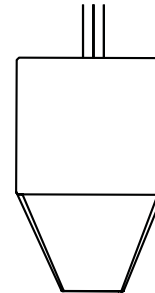
**S - SIDE EXIT WIRE**

wire through a hole on the side of the profile



**B - BACK EXIT WIRE**

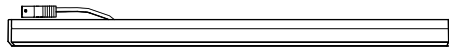
wire through a hole on the back of the profile



**SEGMENTS**

**INDIVIDUAL LUMINAIRE**

Comes as individual luminaire with a connection to the power supply.



**L - LUMINAIRE**

Endcaps on both ends

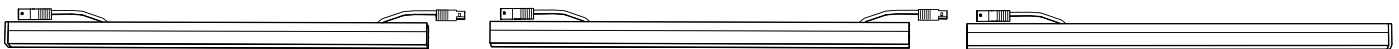
Input wire with male connector, no output wire

Module length = **LENGTH** + 4 mm / 0,2" (back, side wire exit)

Module length = **LENGTH** + 9 mm / 0.35" (end wire exit)

**CONTINUOUS LINE**

Connecting LED modules to a continuous line, no connection mark is visible between the modules.



**S - START MODULE**

Endcap on single end only

Input wire with male connector, output with female

Module length = **LENGTH** + 2 mm (0,2")

**M - MIDDLE MODULE**

No endcaps on both ends

Input wire with male connector, output with female

Module length = **LENGTH**

**E - END MODULE**

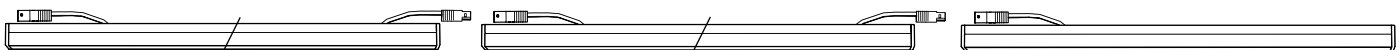
Endcap on single end only

Input wire with male connector, no output cable

Module length = **LENGTH** + 2 mm (0,2")

**FULL SET INSTALLATION**

Connecting the LED module to a line connection endcaps are visible, no continuous light line is obtained.



**F - FULL SET MODULE**

Endcap on both ends

Input wire with male connector, output female

Module length = **LENGTH** + 4 mm / 0,2" back, (side wire exit)

Module length = **LENGTH** + 14 mm / 0.55" (end wire exit)

**F - FULL SET MODULE**

**L - LUMINAIRE**

or

**F - FULL SET MODULE**

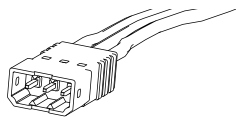
Possible allowed deviation of optical and electrical values are ±15%. Allowed measurement uncertainty ±7%.

All values in datasheet are for reference only and customers should take these values on their own risk. Holectron reserves the right for changes without prior notice.

**CONNECTORS**

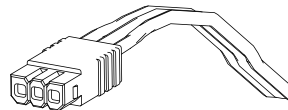
**MALE CONNECTOR**

for indoor use only



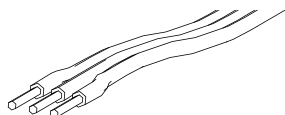
**FEMALE CONNECTOR**

for indoor use only



**LEAD WIRES END**

any connector can be applied

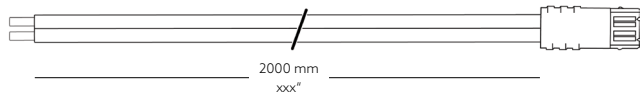


CONNECTOR DIMENSIONS		MALE		FEMALE	
<b>WHITE</b> <b>2-pin</b>	Length	0.61"	15.5 mm	0.59"	15 mm
	Width	0.263"	6.7 mm	0.24"	6.1 mm
	Height	0.196"	5 mm	0.196"	5 mm
<b>TW</b> <b>3-pin</b>	Length	0.61"	15.5 mm	0.59"	15 mm
	Width	0.362"	9.2 mm	0.338"	8.6 mm
	Height	0.196"	5 mm	0.196"	5 mm
<b>RGB</b> <b>4-pin</b>	Length	0.61"	15.5 mm	0.59"	15 mm
	Width	0.648"	16.5 mm	0.437"	11.1 mm
	Height	0.204"	5.2 mm	0.196"	5 mm
<b>RGBW</b> <b>5-pin</b>	Length	0.61"	15.5 mm	0.59"	15 mm
	Width	0.559"	14.2 mm	0.535"	13.6 mm
	Height	0.196"	5 mm	0.196"	5 mm

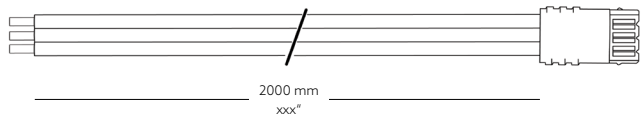
**LEAD CABLES**

Lead-wire cables are used to connect the LED module to the power supply unit.

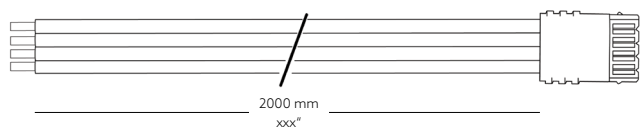
**For White LEDs**  
PH-TP-2M L2000



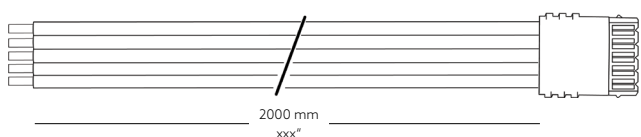
**For Tunable White LEDs**  
PH-TP-3M L2000



**For RGB LEDs**  
PH-TP-4M L2000



**For RGB+W LEDs**  
PH-TP-5M L2000



**EXTENSION CABLES**

Extension cables are used to connect two remote LED modules.

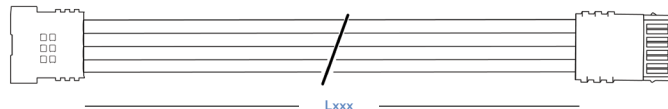
**For White LEDs**  
PH-TP-2M/2F Lxxx



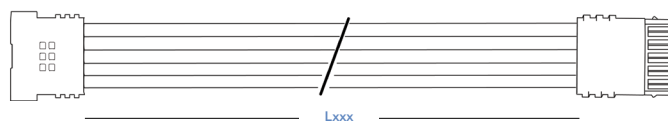
**For Tunable White LEDs**  
PH-TP-3M/3F Lxxxx



**For RGB LEDs**  
PH-TP-4M/4F Lxxxx



**For RGB+W LEDs**  
PH-TP-5M/5F Lxxxx



**EXTENSION CABLES LENGTHS**

	Lxxx	L150	L500	L1000	L2000
<b>Length</b>		150 mm 5.9"	500 mm 1 ft 8 in'	1000 mm 3 ft 3 in	2000 mm 6 ft 6 in

**LUMEN VALUES OF LED STRIPS**

**FL-112/D3 - WHITE LIGHT**

<b>CRI 80+</b>		<b>POWER</b>							
		4,8 W/m 1.5 W/ft		9,6 W/m 2.9 W/ft		14,4 W/m 4.4 W/ft		19,2 W/m 5.9 W/ft	
<b>SPECTRUM</b>	<b>KELVINS</b>	<b>4</b>		<b>9</b>		<b>14</b>		<b>19</b>	
		lm/m	lm/ft	lm/m	lm/ft	lm/m	lm/ft	lm/m	lm/ft
<b>822</b>	2200K	635	193	1210	368	1719	522	2239	681
<b>827</b>	2700K	635	193	1210	368	1719	522	2239	681
<b>830</b>	3000K	673	205	1283	390	1823	554	2375	722
<b>835</b>	3500K	712	216	1356	412	1928	586	2511	763
<b>840</b>	4000K	750	228	1430	435	2032	618	2647	805
<b>850</b>	5000K	789	240	1501	456	2136	649	2783	846
<b>857</b>	5700K	789	240	1501	456	2136	649	2783	846
<b>865</b>	6500K	789	240	1501	456	2136	649	2783	846
<b>EFFICACY</b>		164 lm/W		156 lm/W		148 lm/W		145 lm/W	



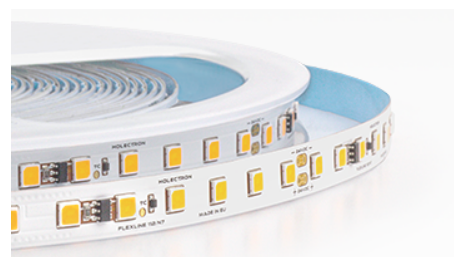
<b>CRI 90+</b>		<b>POWER</b>							
		4,8 W/m 1.5 W/ft		9,6 W/m 2.9 W/ft		14,4 W/m 4.4 W/ft		19,2 W/m 5.9 W/ft	
<b>SPECTRUM</b>	<b>KELVINS</b>	<b>4</b>		<b>9</b>		<b>14</b>		<b>19</b>	
		lm/m	lm/ft	lm/m	lm/ft	lm/m	lm/ft	lm/m	lm/ft
<b>922</b>	2200K	482	147	942	286	1356	412	1789	544
<b>927</b>	2700K	518	157	1012	308	1457	443	1919	583
<b>930</b>	3000K	554	168	1082	329	1558	474	2052	624
<b>935</b>	3500K	590	179	1152	350	1659	504	2185	664
<b>940</b>	4000K	626	190	1222	371	1760	535	2318	705
<b>950</b>	5000K	626	190	1222	371	1760	535	2318	705
<b>957</b>	5700K	626	190	1222	371	1760	535	2318	705
<b>965</b>	6500K	626	190	1222	371	1760	535	2318	705
<b>EFFICACY</b>		130 lm/W		127 lm/W		122 lm/W		121 lm/W	

Possible allowed deviation of optical and electrical values are ±15%. Allowed measurement uncertainty ±7%. All values in datasheet are for reference only and customers should take these values on their own risk. Holectron reserves the right for changes without prior notice.

**LUMEN VALUES OF LED STRIPS**

**FL-112/N3 - WHITE LIGHT**

<b>CRI 80+</b>		<b>POWER</b>							
		4,8 W/m 1.5 W/ft		9,6 W/m 2.9 W/ft		14,4 W/m 4.4 W/ft		19,2 W/m 5.9 W/ft	
<b>SPECTRUM</b>	<b>KELVINS</b>	<b>4</b>		<b>9</b>		<b>14</b>		<b>19</b>	
		lm/m	lm/ft	lm/m	lm/ft	lm/m	lm/ft	lm/m	lm/ft
820	2000K	506	154	1022	312	1516	462	2035	620
822	2200K	548	167	1106	337	1641	500	2202	671
825	2500K	600	183	1211	369	1796	547	2410	735
827	2700K	702	214	1416	432	2101	640	2819	859
830	3000K	722	220	1458	444	2163	659	2902	885
835	3500K	739	225	1492	455	2213	675	2969	905
840	4000K	741	226	1496	456	2219	676	2978	908
850	5000K	816	249	1598	487	2329	710	3095	943
857	5700K	787	240	1542	470	2247	685	2986	910
865	6500K	787	240	1542	470	2247	685	2986	910
<b>EFFICACY</b>		170 lm/W		166 lm/W		162 lm/W		161 lm/W	



<b>CRI 90+</b>		<b>POWER</b>							
		4,8 W/m 1.5 W/ft		9,6 W/m 2.9 W/ft		14,4 W/m 4.4 W/ft		19,2 W/m 5.9 W/ft	
<b>SPECTRUM</b>	<b>KELVINS</b>	<b>4</b>		<b>9</b>		<b>14</b>		<b>19</b>	
		lm/m	lm/ft	lm/m	lm/ft	lm/m	lm/ft	lm/m	lm/ft
920	2000K	438	134	856	261	1244	379	1648	502
922	2200K	474	144	926	282	1346	410	1783	543
925	2500K	514	157	1005	306	1460	445	1934	589
927	2700K	584	178	1155	351	1691	514	2250	684
930	3000K	597	181	1181	359	1729	526	2300	699
935	3500K	613	186	1212	368	1773	539	2359	717
940	4000K	624	190	1233	375	1805	549	2401	730
950	5000K	665	202	1312	399	1917	583	2547	774
957	5700K	661	201	1303	396	1904	579	2530	769
965	6500K	657	200	1295	394	1892	575	2513	764
<b>EFFICACY</b>		139 lm/W		137 lm/W		133 lm/W		133 lm/W	

<b>CRI 95+</b>		<b>POWER</b>							
		4,8 W/m 1.5 W/ft		9,6 W/m 2.9 W/ft		14,4 W/m 4.4 W/ft		19,2 W/m 5.9 W/ft	
<b>SPECTRUM</b>	<b>KELVINS</b>	<b>4</b>		<b>9</b>		<b>14</b>		<b>19</b>	
		lm/m	lm/ft	lm/m	lm/ft	lm/m	lm/ft	lm/m	lm/ft
027	2700K	507	154	994	302	1445	439	1915	582
030	3000K	518	157	1015	309	1477	449	1957	595
035	3500K	529	161	1037	315	1509	459	1999	608
040	4000K	536	163	1050	319	1528	464	2024	615
050	5000K	573	174	1124	342	1637	498	2173	660
<b>EFFICACY</b>		119 lm/W		117 lm/W		114 lm/W		113 lm/W	

Possible allowed deviation of optical and electrical values are ±15%. Allowed measurement uncertainty ±7%. All values in datasheet are for reference only and customers should take these values on their own risk. Holectron reserves the right for changes without prior notice.

**LUMEN VALUES OF LED STRIPS**

**RGB-48/N3 - RGB LIGHT**

RGB	POWER					
	8,6 W/m 2.6 W/ft		14,4 W/m 4.4 W/ft		17,3 W/m 5.3 W/ft	
COLOR	8		14		17	
	lm/m	lm/ft	lm/m	lm/ft	lm/m	lm/ft
RED	55	17	92	28	-	-
GREEN	189	58	315	96	-	-
BLUE	40	12	67	20	-	-
<b>TOTAL RGB LUMINOUS FLUX</b>	<b>284</b>	<b>87</b>	<b>474</b>	<b>144</b>	-	-
<b>EFFICACY</b>	33 lm/W		33 lm/W			



**RGB-96/N3 - RGB LIGHT**

RGB	POWER					
	8,6 W/m 2.6 W/ft		14,4 W/m 4.4 W/ft		17,3 W/m 5.3 W/ft	
COLOR	8		14		17	
	lm/m	lm/ft	lm/m	lm/ft	lm/m	lm/ft
RED	-	-	-	-	110	34
GREEN	-	-	-	-	378	115
BLUE	-	-	-	-	80	24
<b>TOTAL RGB LUMINOUS FLUX</b>	-	-	-	-	<b>568</b>	<b>173</b>



**RGBW-48/N3 - RGBW LIGHT**

RGBW	POWER					
	8,6 W/m 2.6 W/ft		14,4 W/m 4.4 W/ft		19,2 W/m 5.9 W/ft	
COLOR	8		14		19	
	lm/m	lm/ft	lm/m	lm/ft	lm/m	lm/ft
RED	-	-	55	14	92	28
GREEN	-	-	189	49	315	96
BLUE	-	-	40	10	67	20
<b>TOTAL RGB LUMINOUS FLUX</b>	-	-	<b>284</b>	<b>74</b>	<b>474</b>	<b>144</b>
<b>EFFICACY</b>			20 lm/W		25 lm/W	



CRI 80+	SPECTRUM	KELVINS	POWER							
			4,8 W/m 1.5 W/ft		9,6 W/m 2.9 W/ft		14,4 W/m 4.4 W/ft		19,2 W/m 5.9 W/ft	
			4		9		14		19	
			lm/m	lm/ft	lm/m	lm/ft	lm/m	lm/ft	lm/m	lm/ft
822		2200K	-	-	515	157	426	130	-	-
825		2500K	-	-	572	174	474	144	-	-
827		2700K	-	-	647	197	543	166	-	-
830		3000K	-	-	647	197	543	166	-	-
835		3500K	-	-	647	197	543	166	-	-
840		4000K	-	-	702	214	589	180	-	-
850		5000K	-	-	702	214	589	180	-	-
865		6500K	-	-	702	214	589	180	-	-
<b>EFFICACY</b>			49 lm/W				31 lm/W			

CRI 90+	SPECTRUM	KELVINS	POWER							
			4,8 W/m 1.5 W/ft		9,6 W/m 2.9 W/ft		14,4 W/m 4.4 W/ft		19,2 W/m 5.9 W/ft	
			4		9		14		19	
			lm/m	lm/ft	lm/m	lm/ft	lm/m	lm/ft	lm/m	lm/ft
922		2200K	-	-	499	152	359	109	-	-
927		2700K	-	-	499	152	383	117	-	-
930		3000K	-	-	533	162	390	119	-	-
935		3500K	-	-	540	165	399	122	-	-
940		4000K	-	-	551	168	420	128	-	-
950		5000K	-	-	564	172	446	136	-	-
965		6500K	-	-	552	168	422	129	-	-
<b>EFFICACY</b>			39 lm/W				23 lm/W			

Possible allowed deviation of optical and electrical values are ±15%. Allowed measurement uncertainty ±7%. All values in datasheet are for reference only and customers should take these values on their own risk. Holectron reserves the right for changes without prior notice.

**LUMEN VALUES OF LED STRIPS**

**TW-56/N3 - TUNABLE WHITE LIGHT**

CRI 80+		POWER					
		9,6 W/m 2.9 W/ft		14,4 W/m 4.4 W/ft		19,2 W/m 5.9 W/ft	
SPECTRUM	KELVINS	9		14		19	
		lm/m	lm/ft	lm/m	lm/ft	lm/m	lm/ft
820/865	2000-6500K	1297	395	-	-	2545	776
825/857	2500-5700K	1393	425	-	-	2735	834
827/857	2700-5700K	1496	456	-	-	2942	897
827/850	2700-5000K	1524	465	-	-	2997	913



CRI 90+		POWER					
		9,6 W/m 2.9 W/ft		14,4 W/m 4.4 W/ft		19,2 W/m 5.9 W/ft	
SPECTRUM	KELVINS	9		14		19	
		lm/m	lm/ft	lm/m	lm/ft	lm/m	lm/ft
920/965	2000-6500K	1120	341	-	-	2170	661
925/957	2500-5700K	1199	365	-	-	2323	708
927/950	2700-5000K	1314	401	-	-	2552	778
EFFICACY		137 lm/W			133 lm/W		

CRI 95+		POWER					
		9,6 W/m 2.9 W/ft		14,4 W/m 4.4 W/ft		19,2 W/m 5.9 W/ft	
SPECTRUM	KELVINS	9		14		19	
		lm/m	lm/ft	lm/m	lm/ft	lm/m	lm/ft
027/040	2700-4000K	1082	330	-	-	2009	612
027/050	2700-5000K	1122	342	-	-	2092	638
EFFICACY		117 lm/W			109 lm/W		

**TW-56/D3 - TUNABLE WHITE LIGHT**

CRI 80+		POWER					
		9,6 W/m 2.9 W/ft		14,4 W/m 4.4 W/ft		19,2 W/m 5.9 W/ft	
SPECTRUM	KELVINS	9		14		19	
		lm/m	lm/ft	lm/m	lm/ft	lm/m	lm/ft
827/840	2700-4000K	1287	392	-	-	2408	734
827/850	2700-5700K	1297	395	-	-	2413	735
827/857	2700-5700K	1292	394	-	-	2406	733
827/865	2700-6500K	1286	392	-	-	2405	733
EFFICACY		135 Lm/W			126 Lm/W		



CRI 90+		POWER					
		9,6 W/m 2.9 W/ft		14,4 W/m 4.4 W/ft		19,2 W/m 5.9 W/ft	
SPECTRUM	KELVINS	9		14		19	
		lm/m	lm/ft	lm/m	lm/ft	lm/m	lm/ft
927/940	2700-4000K	1100	335	-	-	2049	625
927/950	2700-5700K	1097	334	-	-	2046	624
927/957	2700-5700K	1121	342	-	-	2090	637
927/965	2700-6500K	1121	342	-	-	2090	637
EFFICACY		117 lm/W			109 lm/W		

**POWER CONSUMPTION PER FIXTURE LENGTH**

		4,8 W/m	1.5 W/ft	9,6 W/m	2.9 W/ft	14,4 W/m	4.4 W/ft	17,3 W/m	5.3 W/ft	19,2 W/m	5.9 W/ft
<b>LENGTH</b>		<b>4</b>		<b>9</b>		<b>14</b>		<b>17</b>		<b>19</b>	
4.9"	125 mm	0.6 W		1.2 W		1.8 W		2.2 W		2.4 W	
7.4"	188 mm	0.9 W		1.8 W		2.7 W		3.3 W		3.6 W	
9.8"	250 mm	1.2 W		2.4 W		3.6 W		4.3 W		4.8 W	
1'	313 mm	1.5 W		3.0 W		4.5 W		5.4 W		6.0 W	
1' 2"	375 mm	1.8 W		3.6 W		5.4 W		6.5 W		7.2 W	
1' 5"	438 mm	2.1 W		4.2 W		6.3 W		7.6 W		8.4 W	
1' 7"	500 mm	2.4 W		4.8 W		7.2 W		8.7 W		9.6 W	
1' 10"	563 mm	2.7 W		5.4 W		8.1 W		9.7 W		10.8 W	
2'	625 mm	3.0 W		6.0 W		9.0 W		10.8 W		12.0 W	
2' 3"	688 mm	3.3 W		6.6 W		9.9 W		11.9 W		13.2 W	
2' 5"	750 mm	3.6 W		7.2 W		10.8 W		13.0 W		14.4 W	
2' 8"	813 mm	3.9 W		7.8 W		11.7 W		14.1 W		15.6 W	
2' 10"	875 mm	4.2 W		8.4 W		12.6 W		15.1 W		16.8 W	
3'	938 mm	4.5 W		9.0 W		13.5 W		16.2 W		18.0 W	
3' 3"	1000 mm	4.8 W		9.6 W		14.4 W		17.3 W		19.2 W	
3' 5"	1063 mm	5.1 W		10.2 W		15.3 W		18.4 W		20.4 W	
3' 8"	1125 mm	5.4 W		10.8 W		16.2 W		19.5 W		21.6 W	
3' 10"	1188 mm	5.7 W		11.4 W		17.1 W		20.6 W		22.8 W	
4' 1"	1250 mm	6.0 W		12.0 W		18.0 W		21.6 W		24.0 W	
4' 3"	1313 mm	6.3 W		12.6 W		18.9 W		22.7 W		25.2 W	
4' 6"	1375 mm	6.6 W		13.2 W		19.8 W		23.8 W		26.4 W	
4' 8"	1438 mm	6.9 W		13.8 W		20.7 W		24.9 W		27.6 W	
4' 11"	1500 mm	7.2 W		14.4 W		21.6 W		26.0 W		28.8 W	
5' 1"	1563 mm	7.5 W		15.0 W		22.5 W		27.0 W		30.0 W	
5' 4"	1625 mm	7.8 W		15.6 W		23.4 W		28.1 W		31.2 W	
5' 6"	1688 mm	8.1 W		16.2 W		24.3 W		29.2 W		32.4 W	
5' 9"	1750 mm	8.4 W		16.8 W		25.2 W		30.3 W		33.6 W	
5' 11"	1813 mm	8.7 W		17.4 W		26.1 W		31.4 W		34.8 W	
6' 2"	1875 mm	9.0 W		18.0 W		27.0 W		32.4 W		36.0 W	
6' 4"	1938 mm	9.3 W		18.6 W		27.9 W		33.5 W		37.2 W	
6' 6"	2000 mm	9.6 W		19.2 W		28.8 W		34.6 W		38.4 W	
6' 9"	2063 mm	9.9 W		19.8 W		29.7 W		35.7 W		39.6 W	
6' 11"	2125 mm	10.2 W		20.4 W		30.6 W		36.8 W		40.8 W	
7' 2"	2188 mm	10.5 W		21.0 W		31.5 W		37.9 W		42.0 W	
7' 4"	2250 mm	10.8 W		21.6 W		32.4 W		38.9 W		43.2 W	
7' 7"	2313 mm	11.1 W		22.2 W		33.3 W		40.0 W		44.4 W	
7' 9"	2375 mm	11.4 W		22.8 W		34.2 W		41.1 W		45.6 W	
7' 11"	2438 mm	11.7 W		23.4 W		35.1 W		42.2 W		46.8 W	
8' 2"	2500 mm	12.0 W		24.0 W		36.0 W		43.3 W		48.0 W	
8' 5"	2563 mm	12.3 W		24.6 W		36.9 W		44.3 W		49.2 W	
8' 7"	2625 mm	12.6 W		25.2 W		37.8 W		45.4 W		50.4 W	
8' 10"	2688 mm	12.9 W		25.8 W		38.7 W		46.5 W		51.6 W	
9'	2750 mm	13.2 W		26.4 W		39.6 W		47.6 W		52.8 W	
9' 2"	2813 mm	13.5 W		27.0 W		40.5 W		48.7 W		54.0 W	
9' 5"	2875 mm	13.8 W		27.6 W		41.4 W		49.7 W		55.2 W	
9' 7"	2938 mm	14.1 W		28.2 W		42.3 W		50.8 W		56.4 W	
9' 10"	3000 mm	14.4 W		28.8 W		43.2 W		51.9 W		57.6 W	

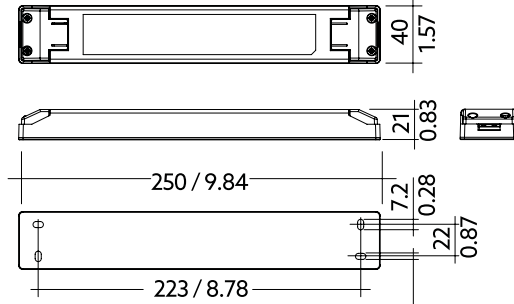
Possible allowed deviation of optical and electrical values are ±15%. Allowed measurement uncertainty ±7%.  
 All values in datasheet are for reference only and customers should take these values on their own risk. Holectron reserves the right for changes without prior notice.  
[www.holectron.com](http://www.holectron.com) | Customizable Linear LED Lighting Products



**POWER SUPPLIES**

**POWER SUPPLY 60W 24V**

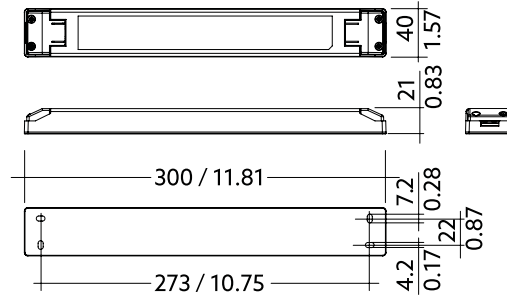
for indoor use only



Order code	PSU TR 60W 24V 5Y IP20 UL
Rated supply voltage	100-277 V 50/60 Hz
AC voltage range	90 - 305 V
Output voltage	24 V DC
Output power	60 W
Dimming	non-dimmable
IP class	IP20

**POWER SUPPLY 96W 24V**

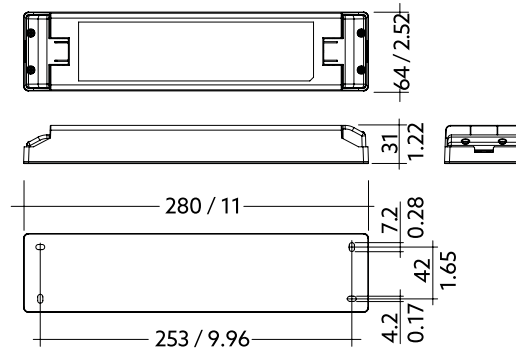
for indoor use only



Order code	PSU TR 96W 24V 5Y IP20 UL
Rated supply voltage	120-277 V 50/60 Hz
AC voltage range	108 - 305 V
Output voltage	24 V DC
Output power	96 W
Dimming	non-dimmable
IP class	IP20

**POWER SUPPLY 180W 24V**

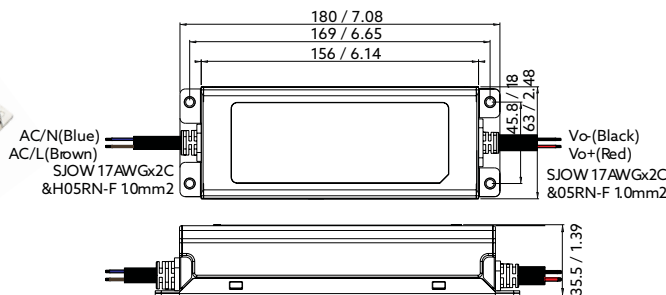
for indoor use only



Order code	PSU TR 180W 24V 5Y IP20 UL
Rated supply voltage	120-277 V 50/60 Hz
AC voltage range	108 - 305 V
Output voltage	24 V DC
Output power	180 W
Dimming	non-dimmable
IP class	IP20

**POWER SUPPLY 75W 24V IP67**

for outdoor and indoor use

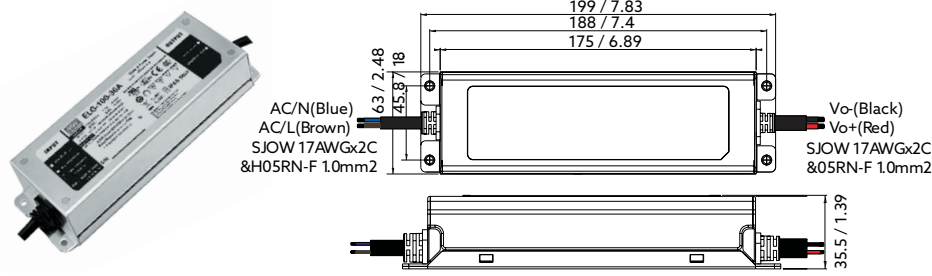


Order code	PSU MW ELG 75W 24V 5Y IP67 UL
Rated supply voltage	100-305 V 50/60 Hz
Output voltage	24 V DC
Output power	60 W (100-180 V AC) 75 W (200-305 V AC)
Dimming	non-dimmable
IP class	IP67

Possible allowed deviation of optical and electrical values are ±15%. Allowed measurement uncertainty ±7%. All values in datasheet are for reference only and customers should take these values on their own risk. Holectron reserves the right for changes without prior notice. [www.holectron.com](http://www.holectron.com) | Customizable Linear LED Lighting Products

**POWER SUPPLY 100W 24V IP67**

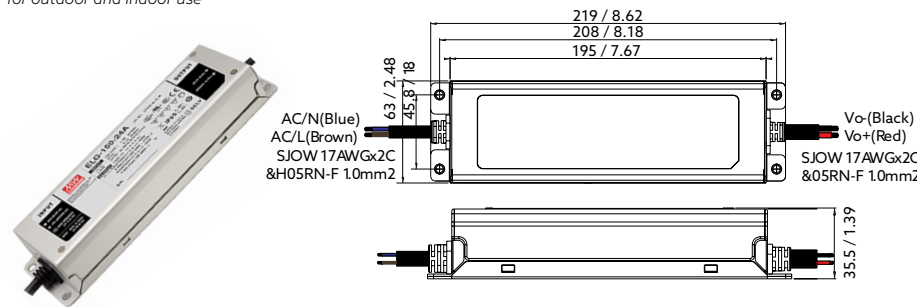
for outdoor and indoor use



<b>Order code</b>	PSU MW ELG 100W 24V 5Y IP67 UL
<b>Rated supply voltage</b>	100-305 V 50/60 Hz
<b>Output voltage</b>	24 V DC
<b>Output power</b>	70 W (100-180 V AC) 96 W (200-305 V AC)
<b>Dimming</b>	non-dimmable
<b>IP class</b>	IP67

**POWER SUPPLY 150W 24V IP67**

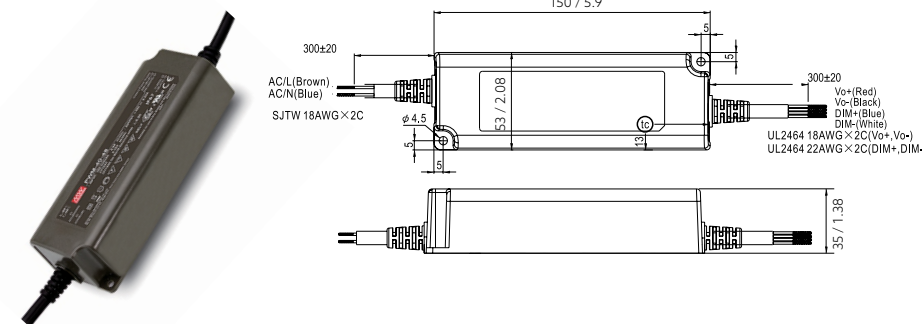
for outdoor and indoor use



<b>Order code</b>	PSU MW ELG 150W 24V 5Y IP67 UL
<b>Rated supply voltage</b>	100-305 V 50/60 Hz
<b>Output voltage</b>	24 V DC
<b>Output power</b>	105 W (100-180 V AC) 150 W (200-305 V AC)
<b>Dimming</b>	non-dimmable
<b>IP class</b>	IP67

**POWER SUPPLY 40W 24V IP67 0-10V**

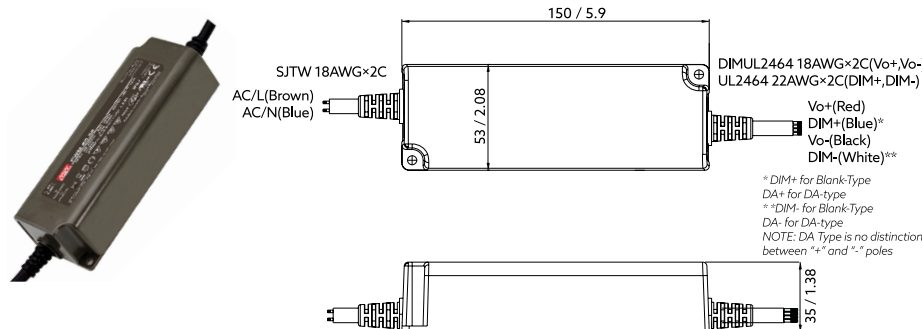
with 0-10V dimming for outdoor and indoor use



<b>Order code</b>	PSU MW PWM 40W 24V 5Y IP67 UL
<b>Rated supply voltage</b>	90-305 V 50/60 Hz
<b>Output voltage</b>	24 V DC
<b>Output power</b>	40 W
<b>Dimming</b>	0-10V
<b>IP class</b>	IP 67

**POWER SUPPLY 60W 24V IP67 0-10V**

with 0-10V / DALI dimming for outdoor and indoor use

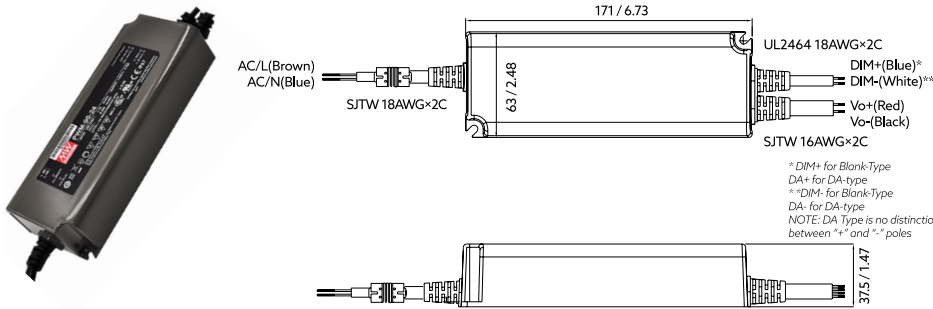


<b>Order code</b>	PSU MW PWM 60W 24V 5Y IP67 UL
<b>Rated supply voltage</b>	90-305 V 50/60 Hz
<b>Output voltage</b>	24 V DC
<b>Output power</b>	60 W
<b>Dimming</b>	0-10V / DALI
<b>IP class</b>	IP67

Possible allowed deviation of optical and electrical values are ±15%. Allowed measurement uncertainty ±7%. All values in datasheet are for reference only and customers should take these values on their own risk. Holectron reserves the right for changes without prior notice. [www.holectron.com](http://www.holectron.com) | Customizable Linear LED Lighting Products

**POWER SUPPLY 90W 24V IP67 0-10V**

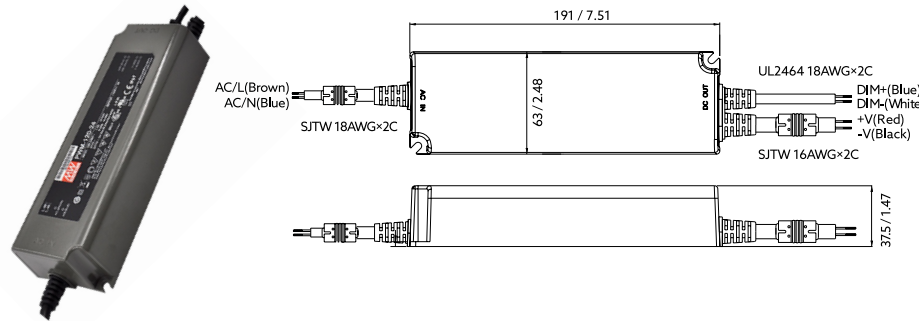
with 0-10V / DALI dimming for outdoor and indoor use



<b>Order code</b>	PSU MW PWM 90W 24V 5Y IP67 UL
<b>Rated supply voltage</b>	90-305 V 50/60 Hz
<b>Output voltage</b>	24 V DC
<b>Output power</b>	90 W
<b>Dimming</b>	0-10V / DALI
<b>IP class</b>	IP67

**POWER SUPPLY 120W 24V IP67 0-10V**

with 0-10V / DALI dimming for outdoor and indoor use

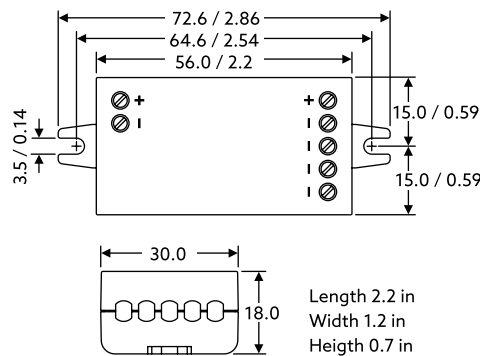


<b>Order code</b>	PSU MW PWM 120W 24V 5Y IP67 UL
<b>Rated supply voltage</b>	90-305 V 50/60 Hz
<b>Output voltage</b>	24 V DC
<b>Output power</b>	120 W
<b>Dimming</b>	0-10V / DALI
<b>IP class</b>	IP67

**CONTROLLERS**

**WIRELESS BLUETOOTH**

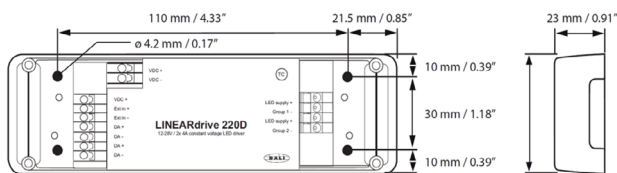
wireless controll using iOS or Android smartphones or tablets, for white, tunable white, RGB and RGB+W fixtures



<b>Order code</b>	DIM-CA-BT/PWM4
<b>Control type</b>	Wireless Bluetooth BLE Control using iOS or Android phones or tablets
<b>LED type</b>	Single color, Tunable white, RGB, RGB+W
<b>Input voltage</b>	12-24 VDC
<b>Input current max</b>	6A or 4A (US and Canada)
<b>Output voltage</b>	Same as input voltage
<b>Output current</b>	6 A (can be freely divided between the channels) 4 A (US and Canada)
<b>Dimming method</b>	PWM
<b>IP class</b>	IP20

**0-10V FOR TUNABLE WHITE**

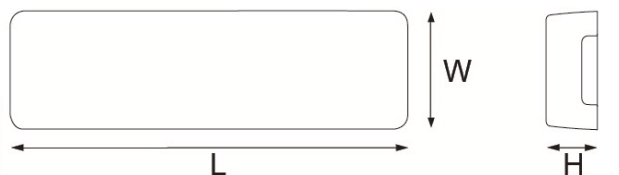
for tunable white fixtures



<b>Order code</b>	DIM EL 1-10V/TW
<b>Control type</b>	0-10V
<b>LED type</b>	Tunable white
<b>Input voltage</b>	12-24 VDC
<b>Input current max</b>	8 A, irrespective of PSU voltage
<b>Output voltage</b>	Same as input voltage
<b>Output current</b>	8 A maximum, irrespective of whether using one or both LED outputs
<b>IP class</b>	IP20

**DMX/DALI FOR RGB+W**

for white, tunable white, RGB and RGB+W fixtures

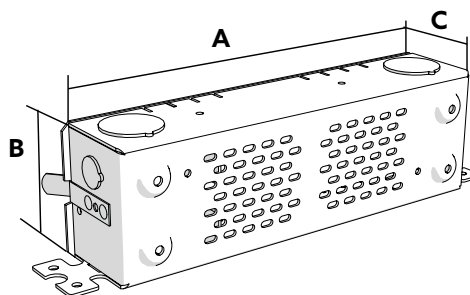


Length (L)	typical: 153 mm / 6.02 in
Width (W)	typical: 50 mm / 1.97 in
Height (H)	typical: 23 mm / 0.91 in
Weight	144 g

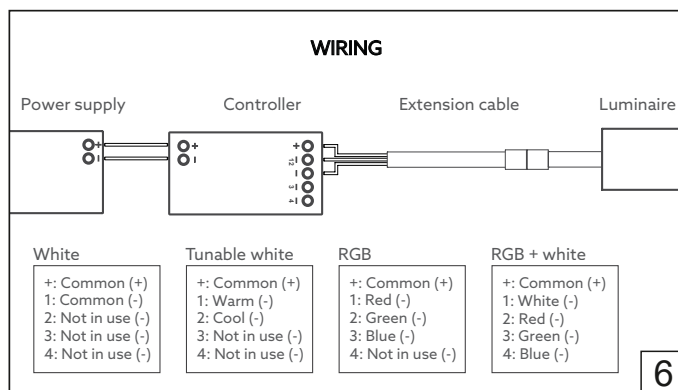
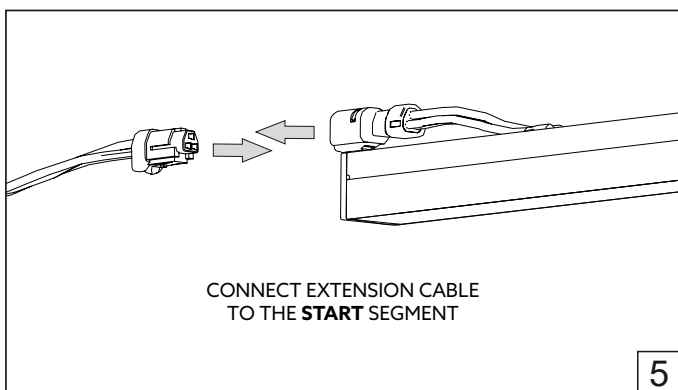
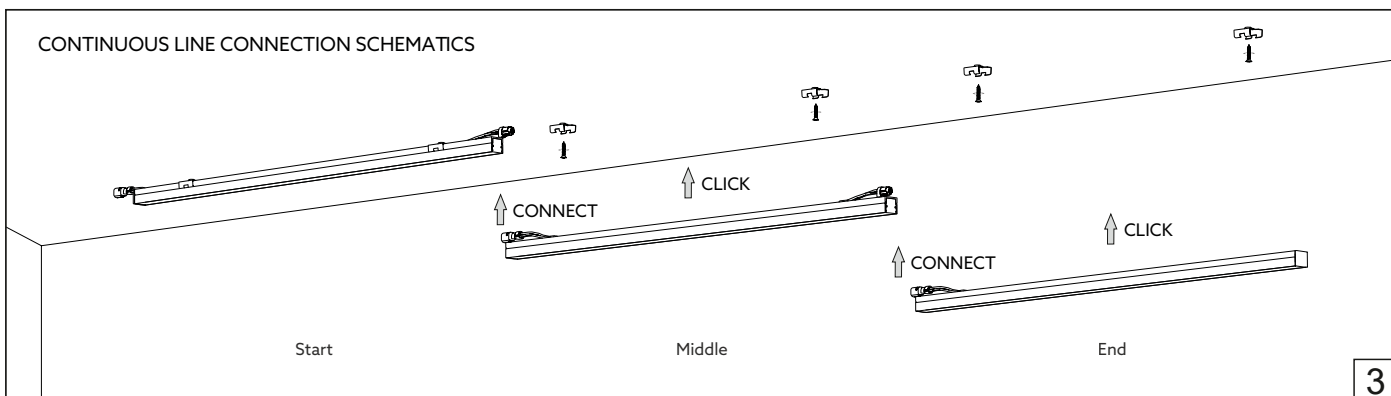
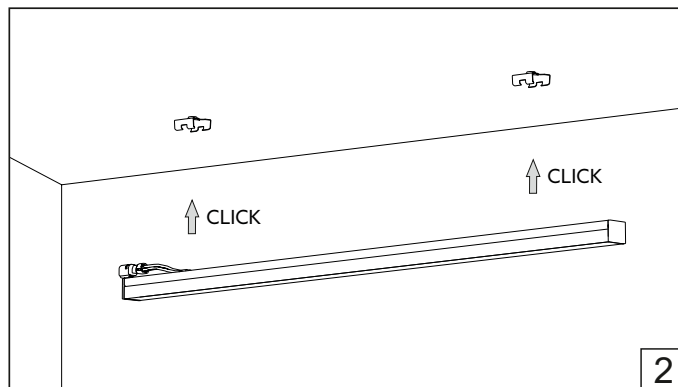
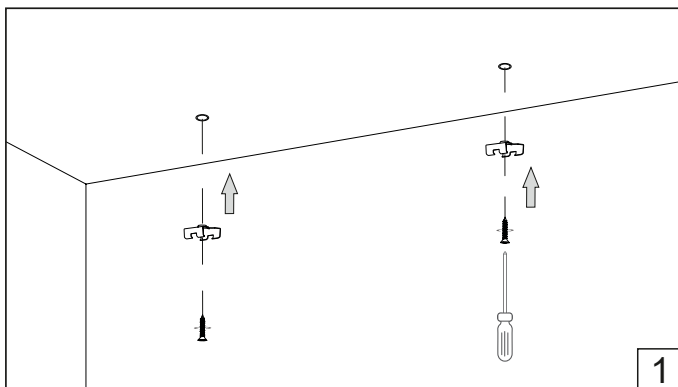
<b>Order code</b>	DIM EL DALI/RGBW
<b>Control type</b>	DMX and DALI
<b>LED type</b>	Single color, Tunable white, RGB, RGB+W
<b>Input voltage</b>	12-48 VDC
<b>Input current max</b>	24 A, irrespective of PSU voltage
<b>Output voltage</b>	Same as input voltage
<b>Output current</b>	RGBW @ 24V: 6A RGB @ 24V: 6A
<b>IP class</b>	IP20

**DRIVER ENCLOSURES**

SIZE OPTIONS	A - LENGTH	C - HEIGHT	B - WIDTH
1	534 mm 21 inch	45 mm 1.7"	65 mm 2.6"
2	330 mm 13 inch	45 mm 1.7"	65 mm 2.6"



**INSTALLATION GUIDE**



Possible allowed deviation of optical and electrical values are ±15%. Allowed measurement uncertainty ±7%. All values in datasheet are for reference only and customers should take these values on their own risk. Holectron reserves the right for changes without prior notice.

## SAFETY / WARNINGS / DISCLOSURES

1. Install in accordance with national and local electrical code regulations.
2. Do not modify or disassemble this product beyond instructions or the warranty will be void.
3. Our channels, covers, end caps, and mounting brackets are also suitable for outdoor use with some considerations. Please consult with local Holecron representative to pick right fixtures for outdoor use.
4. Indoor (IP20) fixtures should never be mounted in areas receiving direct sunlight and locations where they can be submerged under water or might get in direct contact with water or puddling (rainfall, sprinkler, spray, etc.).
5. Avoid leaving gaps in any of the end cap or cover mating edges to the channel that will allow excess dust, debris, or water/moisture to enter the channel enclosure.
6. Actual product color may vary from what is pictured on this sheet and other print materials due to the limitations of photographic processes.

7. We reserve the right to modify and improve the design of our fixtures without prior notice. We cannot guarantee to match existing installed fixtures for subsequent orders or replacements in regards to product appearance, CCT, or lumen output.

## SAFETY / WARNINGS / DISCLOSURES

### Limited Warranty

This product has a five (5) year limited warranty from the date of shipment. This warranty does not include the additional accessories referenced in this specification sheet. Complete warranty details for fixtures and additional accessories are available online [download here](#). For warranty related questions please contact product support.

## CONSUMER'S ACKNOWLEDGMENT

Holecron stands behind its products when they are used properly and according to our specifications. By purchasing our products, the purchaser agrees and acknowledges that lighting design, configuration and installation is a complex process, wherein seemingly minor factors or changes in layout and infield adjustments can have a significant impact on an entire system. Choosing the correct components is essential. Holecron is able to work with the original purchaser to make an appropriate product selection to the extent of the limited information that the customer can provide, but it is virtually impossible for Holecron to design a system that foresees every unknown factor. For this reason, this Warranty does not cover problems caused by improper design, configuration or installation issues.

Any statement from a Holecron employee or agent regarding a customer's bill of goods and/or purchase order is NOT an acknowledgment that the

products purchased are designed and configured correctly. The purchase agrees and acknowledges that it is the customer's responsibility to adhere strictly to all information contained in the Product Specification Sheets. There is often more than one way to design, configure and layout an LED lighting application properly to achieve the same lighting effect.

Holecron strongly recommends that licensed professionals be used in the design and installation of lighting systems that include Holecron products. The specifications include important information that a designer and installer should carefully review and strictly follow. Qualified designers and certified and/or licensed installers, with access to the final installation environment, customer goals, and Holecron product specifications can make the requisite decisions appropriate for a successful finished lighting application.

## HOLECTRON

HOLECTRON. All rights reserved.  
Specifications are subject to change without notice.  
Phone: +370 612 42446  
email: [info@holecron.com](mailto:info@holecron.com) | [www.holecron.com](http://www.holecron.com)