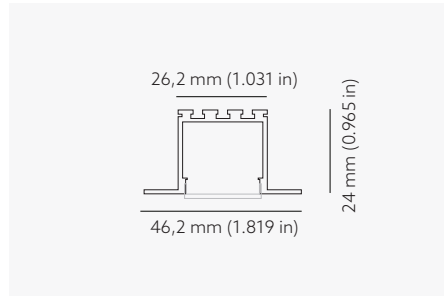
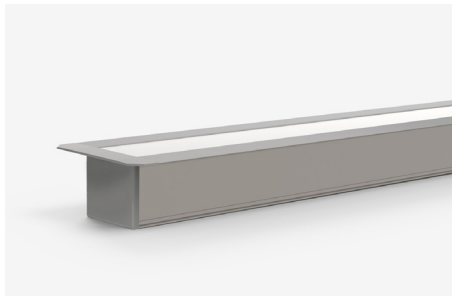


A015x

SPECIFICATION SHEET



Project
Date
Quantity
Notes

ORDER CODE

MODEL	SEGMENT	WIRE EXIT	LED ALIGN	COLOR	COVER	LED SOURCE	WATTAGE	CRI	CCT	SEGMENT LENGTH	CONNECTOR
A015x											

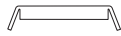
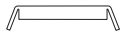
SEGMENT	L Individual	S start	M middle	E end	F full																				
WIRE EXIT	E end <small>*for Luminaire & Full Set only</small>			B back	S side																				
LED ALIGN	C center	L left	R right																						
COLOR	AGY anodized gray 	PWE painted white 	PBK painted black 	CUSTOM contact sales 																					
COVER	PRM.A016x.C03.CLR clear		PRM.A016x.C03.OPL opal																						
LED SOURCE	FL56/Nx G4 static white cutting increment 125 mm (4.92")	FL56/Dx G4 static white cutting increment 125 mm (4.92")	FL112/Nx G4 static white cutting increment 62.5 mm (2.46")	FL112/Dx G4 static white cutting increment 62.5 mm (2.46")	TW70/Nx G4 tunable white cutting increment 100 mm (3.94")	TW70/Dx G4 tunable white cutting increment 100 mm (3.94")	TW2-112/Nx G4 dual tunable white cutting increment 62.5 mm (2.46")	RGB96/Nx G4 RGB cutting increment 62.5 mm (2.46")	RGBW48/Nx G4 RGB+W cutting increment 125 mm (4.92")																
WATTAGE	1 1.2W/m 0.37W/ft static white	2 2.4 W/m 0.7 W/ft static white	4 4.8 W/m 1.5 W/ft static white	7,2 7.2 W/m 2.1 W/ft RGB	9 9.6 W/m 2.9 W/ft static white, TW, TW2, RGBW	11 11.52 W/m 3.5 W/ft RGB	14 14.4 W/m 4.4 W/ft static white, RGB	18 18.2 W/m 5.54 W/ft static white, TW	19 19.2 W/m 5.8 W/ft static white, RGB, RGBW, TW, TW2	24 24 W/m 7.3 W/ft static white, RGB	33 33.4 W/m 10.2 W/ft static white, TW, TW2														
CRI	8 CRI 80+	9 CRI 90+	0 CRI 95+ *for FL56/Nx G4; FL112/Nx G4; FL112/Dx G4 only																						
CCT	20 2000K <small>*for Nx LED strip only</small>	22 2200K	25 2500K	27 2700K	30 3000K	35 3500K	40 4000K	50 5000K	57 5700K	65 6500K															
SEGMENT LENGTH																									
For 62.5mm (2.46") LED strip cutting increment	in	4.9"	7.4"	9.8"	1'0.3"	1'2.8"	1'5.2"	1'7.7"	1'10"	2'0.6"	2'3.1"	2'5.5"	2'8"	2'10"	3'0.9"	3'3.4"	3'5.9"	3'8.3"	3'11"	4'1.2"	4'3.7"	4'6.1"	4'8.6"	4'11"	5'1.5"
	mm	125	188	250	313	375	438	500	563	625	688	750	813	875	938	1000	1063	1125	1188	1250	1313	1375	1438	1500	1563
For 125mm (4.92") LED strip cutting increment	in	5.4"	5'6.5"	5'8.9"	5'11"	6'1.8"	6'4.3"	6'6.7"	6'9.2"	6'12"	7'2.1"	7'4.6"	7'7.1"	7'9.5"	7'12"	8'2.4"	8'4.9"	8'7.3"	8'9.8"	9'0.3"	9'2.7"	9'5.2"	9'7.7"	9'10"	
	mm	1625	1688	1750	1813	1875	1938	2000	2063	2125	2188	2250	2313	2375	2438	2500	2563	2625	2688	2750	2813	2875	2938	3000	
For 100mm (3.94") LED strip cutting increment	in	7.9"	12"	1'3.7"	1'7.7"	1'12"	2'3.6"	2'7.5"	2'11"	3'3.4"	3'7.3"	3'11"	4'3.2"	4'7.1"	4'11"	5'3"	5'6.9"	5'11"	6'2.8"	6'6.7"	6'11"	7'2.6"	7'6.6"	7'10"	8'2.4"
	mm	200	300	400	500	600	700	800	900	1000	1100	1200	1300	1400	1500	1600	1700	1800	1900	2000	2100	2200	2300	2400	2500
	in	8'6.4"	8'10"	9'2.2"	9'6.2"	9'10"																			
	mm	2600	2700	2800	2900	3000																			
CONNECTOR	NON no connectors		PH1 connector																						



COVERS

PRG.A016X.C03.CLR
80% light transmission

PRG.A016X.C03.OPL
90% light transmission



BRACKETS

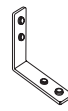
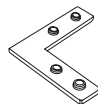
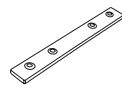
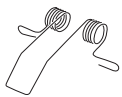
PRG.A019X.F01.GZK
metal

PRG.A015X.F04.RWE
plastic

PRG.A017X.PRT.00004
metal

PRG.A017X.PRT.00006
metal

PRG.A017X.PRT.00005
metal

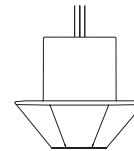
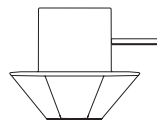
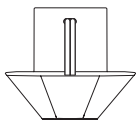


WIRE

E - END EXIT WIRE
wire comes out from profile through endcap

S - SIDE EXIT WIRE
wire through a hole on the side of the profile

B - BACK EXIT WIRE
wire through a hole on the back of the profile



SEGMENTS

INDIVIDUAL LUMINAIRE

Comes as individual luminaire with a connection to the power supply.

CONTINUOUS LINE

Connecting LED modules to a continuous line, no connection mark is visible between the modules.

L - LUMINAIRE



Endcaps on both ends
Input wire with male connector, no output wire
Module length = **LENGTH** + 26 mm / 1,02" (end)
Module length = **LENGTH** + 22 mm / 0,86" (back, side wire exit)

S - START MODULE



Endcap on single end only
Input wire with male connector, output with female
Module length = **LENGTH** + 12 mm (0,47")

M - MIDDLE MODULE



No endcaps on both ends
Input wire with male connector, output with female
Module length = **LENGTH** + 2 mm (0,07")

E - END MODULE



Endcap on single end only
Input wire with male connector, no output cable
Module length = **LENGTH** + 12 mm (0,47")

FULL SET INSTALLATION

Connecting the LED module to a line connection endcaps are visible, no continuous light line is obtained.

F - FULL SET MODULE



Endcap on both ends
Input wire with male connector, output female
Module length = **LENGTH** + 30 mm / 1,18" (end)
Module length = **LENGTH** + 22 mm / 0,86" (back, side wire exit)

F - FULL SET MODULE

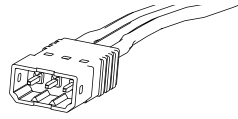


L - LUMINAIRE or F - FULL SET MODULE

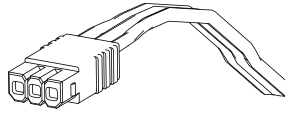


WIRE

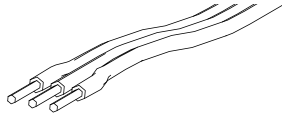
PH1M - MALE CONNECTOR
for indoor use only



PH1F - FEMALE CONNECTOR
for indoor use only



NON - NO CONNECTORS (LEAD WIRES END)
any connector can be applied



CONNECTOR DIMENSIONS		MALE		FEMALE	
WHITE 2-PIN	Length	0.61"	15.5 mm	0.59"	15 mm
	Width	0.263"	6.7 mm	0.24"	6.1 mm
	Height	0.196"	5 mm	0.196"	5 mm
TW 3-PIN	Length	0.61"	15.5 mm	0.59"	15 mm
	Width	0.362"	9.2 mm	0.338"	8.6 mm
	Height	0.196"	5 mm	0.196"	5 mm
RGB 4-PIN	Length	0.61"	15.5 mm	0.59"	15 mm
	Width	0.648"	16.5 mm	0.437"	11.1 mm
	Height	0.204"	5.2 mm	0.196"	5 mm
RGBW 5-PIN	Length	0.61"	15.5 mm	0.59"	15 mm
	Width	0.559"	14.2 mm	0.535"	13.6 mm
	Height	0.196"	5 mm	0.196"	5 mm

LEAD CABLES

Lead-wire cables are used to connect the LED module to the power supply unit.

FOR WHITE LEDS
HR 2PIN P1M.NON LXXX



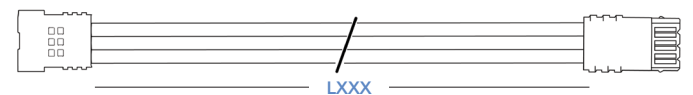
FOR WHITE LEDS
HR 2PIN P1M.P1F LXXXX



FOR TUNABLE WHITE LEDS
HR 3PIN P1M.NON LXXX



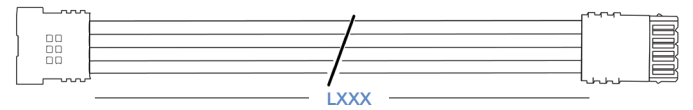
FOR TUNABLE WHITE LEDS
HR 3PIN P1M.P1F LXXXX



FOR RGB LEDS
HR 4PIN P1M.NON LXXX



FOR RGB LEDS
HR 4PIN P1M.P1F LXXXX



FOR RGB+W LEDS
HR 5PIN P1M.NON LXXX



FOR RGB+W LEDS
HR 5PIN P1M.P1F LXXXX



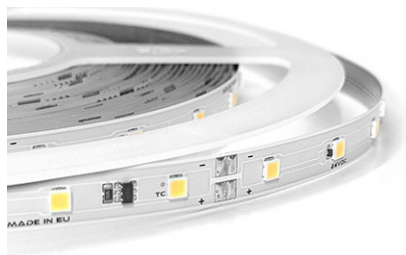
EXTENSION CABLES LENGTHS

LXXX	L200	L1000	L2000	L5000	L9000
LENGTH	200 mm 7.9 in	1000 mm 3 ft 3 in	2000 mm 6 ft 6 in	5000 mm 16 ft 4 in	9000 mm 29 ft 5 in

Possible allowed deviation of optical and electrical values are ±15%. Allowed measurement uncertainty ±7%.
All values in datasheet are for reference only and customers should take these values on their own risk. Holectron reserves the right for changes without prior notice.
www.holectron.com | Customizable Linear LED Lighting Products

LUMEN VALUES OF LED STRIPS

FL56/DX G5 - WHITE LIGHT



CRI 80+		POWER											
SPECTRUM	KELVINS	1,2 W/m	0,37 W/ft	2,4 W/m	0,73 W/ft	4,8 W/m	1,46 W/ft	9,6 W/m	2,92 W/ft	14,4 W/m	4,3 W/m	18,2 W/m	5,5 W/ft
		lm/m	lm/ft	lm/m	lm/ft	lm/m	lm/ft	lm/m	lm/ft	lm/m	lm/ft	lm/m	lm/ft
		1		2		4		9		14		18	
822	2200K	-		284	86	555	169	1097	334	1605	489	1995	607
827	2700K	-		323	98	632	192	1249	380	1829	557	2270	691
830	3000K	-		323	98	632	192	1249	380	1829	557	2270	691
835	3500K	-		343	104	671	204	1326	404	1937	590	2405	732
840	4000K	-		343	104	671	204	1326	404	1937	590	2405	732
850	5000K	-		362	110	708	216	1400	426	2050	624	2544	775
857	5700K	-		362	110	708	216	1400	426	2050	624	2544	775
865	6500K	-		362	110	708	216	1400	426	2050	624	2544	775
EFFICACY				151 lm/W		148 lm/W		146 lm/W		142 lm/W		140 lm/W	

CRI 90+		POWER											
SPECTRUM	KELVINS	1,2 W/m	0,37 W/ft	2,4 W/m	0,73 W/ft	4,8 W/m	1,46 W/ft	9,6 W/m	2,92 W/ft	14,4 W/m	4,3 W/m	18,2 W/m	5,5 W/ft
		lm/m	lm/ft	lm/m	lm/ft	lm/m	lm/ft	lm/m	lm/ft	lm/m	lm/ft	lm/m	lm/ft
		1		2		4		9		14		18	
922	2200K	-		230	70	457	139	886	270	1291	393	1593	485
927	2700K	-		264	80	525	160	1016	309	1484	452	1832	558
930	3000K	-		281	86	559	170	1082	329	1577	480	1948	593
935	3500K	-		298	91	593	181	1148	350	1674	510	2067	629
940	4000K	-		316	96	628	191	1214	370	1771	539	2187	666
950	5000K	-		333	101	662	202	1280	390	1864	568	2302	701
957	5700K	-		350	107	696	212	1343	409	1960	597	2422	737
965	6500K	-		350	107	696	212	1343	409	1960	597	2422	737
EFFICACY				139 lm/W		138 lm/W		133 lm/W		129 lm/W		126 lm/W	

Possible allowed deviation of optical and electrical values are ±15%. Allowed measurement uncertainty ±7%.
 All values in datasheet are for reference only and customers should take these values on their own risk. Holectron reserves the right for changes without prior notice.
www.holectron.com | Customizable Linear LED Lighting Products

LUMEN VALUES OF LED STRIPS

FL56/NX G5 - WHITE LIGHT



CRI 80+		POWER											
SPECTRUM	KELVINS	1,2 W/m	0.37 W/ft	2,4 W/m	0.73 W/ft	4,8 W/m	1.46 W/ft	9,6 W/m	2.92 W/ft	14,4 W/m	4.38 W/ft	18,2 W/m	5.54 W/ft
		1	2	4	9	14	18						
		lm/m	lm/ft	lm/m	lm/ft	lm/m	lm/ft	lm/m	lm/ft	lm/m	lm/ft	lm/m	lm/ft
820	2000K	-	-	245	75	501	153	1010	308	1490	454	1852	564
822	2200K	-	-	265	81	542	165	1093	333	1612	491	2003	610
825	2500K	-	-	290	88	593	181	1196	364	1765	537	2193	668
827	2700K	-	-	339	103	694	211	1399	426	2064	628	2565	781
830	3000K	-	-	350	107	714	217	1441	439	2126	647	2641	804
835	3500K	-	-	358	109	731	223	1474	449	2174	662	2702	823
840	4000K	-	-	359	109	733	223	1478	450	2180	664	2709	825
850	5000K	-	-	394	120	781	238	1535	467	2262	689	2825	860
857	5700K	-	-	380	116	754	230	1481	451	2182	664	2726	830
865	6500K	-	-	380	116	754	230	1481	451	2182	664	2726	830
EFFICACY				164 lm/W		163 lm/W		160 lm/W		157 lm/W		155 lm/W	

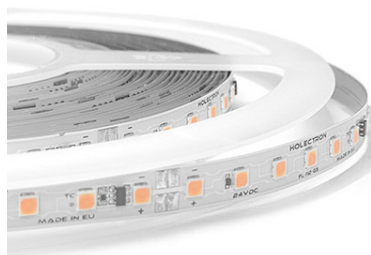
CRI 90+		POWER											
SPECTRUM	KELVINS	1,2 W/m	0.37 W/ft	2,4 W/m	0.73 W/ft	4,8 W/m	1.46 W/ft	9,6 W/m	2.92 W/ft	14,4 W/m	4.38 W/ft	18,2 W/m	5.54 W/ft
		1	2	4	9	14	18						
		lm/m	lm/ft	lm/m	lm/ft	lm/m	lm/ft	lm/m	lm/ft	lm/m	lm/ft	lm/m	lm/ft
820	2000K	-	-	212	65	420	128	818	249	1196	364	1484	452
822	2200K	-	-	230	70	454	138	885	269	1294	394	1606	489
825	2500K	-	-	249	76	493	150	960	292	1403	427	1742	530
827	2700K	-	-	301	92	599	182	1175	358	1719	523	2135	650
830	3000K	-	-	309	94	615	187	1208	368	1768	538	2195	668
835	3500K	-	-	317	97	630	192	1237	377	1811	551	2248	685
840	4000K	-	-	320	97	637	194	1250	381	1829	557	2271	692
850	5000K	-	-	337	103	673	205	1323	403	1939	590	2409	734
857	5700K	-	-	335	102	668	203	1315	400	1927	587	2394	729
865	6500K	-	-	333	101	664	202	1306	398	1941	591	2379	724
EFFICACY				140 lm/W		140 lm/W		138 lm/W		135 lm/W		132 lm/W	

CRI 95+		POWER											
SPECTRUM	KELVINS	1,2 W/m	0.37 W/ft	2,4 W/m	0.73 W/ft	4,8 W/m	1.46 W/ft	9,6 W/m	2.92 W/ft	14,4 W/m	4.38 W/ft	18,2 W/m	5.54 W/ft
		1	2	4	9	14	18						
		lm/m	lm/ft	lm/m	lm/ft	lm/m	lm/ft	lm/m	lm/ft	lm/m	lm/ft	lm/m	lm/ft
827	2700K	-	-	245	75	486	148	950	289	1388	423	1724	525
830	3000K	-	-	250	76	497	151	971	296	1419	432	1762	537
835	3500K	-	-	256	78	507	154	992	302	1449	441	1799	548
840	4000K	-	-	259	79	514	157	1004	306	1468	447	1822	555
850	5000K	-	-	277	84	550	167	1079	329	1580	481	1965	598
EFFICACY				115 lm/W		115 lm/W		112 lm/W		110 lm/W		108 lm/W	

Possible allowed deviation of optical and electrical values are ±15%. Allowed measurement uncertainty ±7%.
 All values in datasheet are for reference only and customers should take these values on their own risk. Holectron reserves the right for changes without prior notice.
 www.holectron.com | Customizable Linear LED Lighting Products

LUMEN VALUES OF LED STRIPS

FL112/DX G5 - WHITE LIGHT



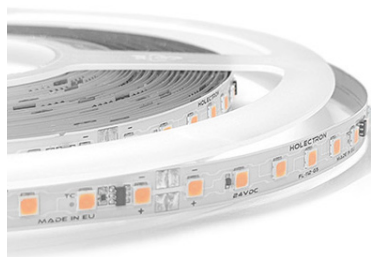
CRI 80+		POWER																																
SPECTRUM	KELVINS	1,92 W/m		0,6 W/ft		2,4 W/m		0,7 W/ft		4,8 W/m		1,5 W/ft		9,6 W/m		2,9 W/ft		14,4 W/m		4,4 W/ft		19,2 W/m		5,8 W/ft		24 W/m		7,3 W/ft		33,6 W/m		10,02 W/ft		
		lm/m	lm/ft	lm/m	lm/ft	lm/m	lm/ft	lm/m	lm/ft	lm/m	lm/ft	lm/m	lm/ft	lm/m	lm/ft	lm/m	lm/ft	lm/m	lm/ft	lm/m	lm/ft	lm/m	lm/ft	lm/m	lm/ft	lm/m	lm/ft	lm/m	lm/ft	lm/m	lm/ft			
822	2200K	-	-	-	-	568	173	1111	338	1653	503	2194	668	2728	831	3698	1126																	
827	2700K	-	-	647	197	1267	386	1882	573	2499	761	3102	945	4207	1281																			
830	3000K	-	-	647	197	1267	386	1882	573	2499	761	3102	945	4207	1281																			
835	3500K	-	-	686	209	1342	409	1997	608	2652	808	3292	1002	4457	1357																			
840	4000K	-	-	686	209	1342	409	1997	608	2652	808	3292	1002	4457	1357																			
850	5000K	-	-	724	220	1416	431	2108	642	2800	853	3483	1061	4716	1436																			
857	5700K	-	-	724	220	1416	431	2108	642	2800	853	3483	1061	4716	1436																			
865	6500K	-	-	724	220	1416	431	2108	642	2800	853	3483	1061	4716	1436																			
EFFICACY						151 lm/W		148 lm/W		146 lm/W		146 lm/W		145 lm/W		141 lm/W																		

CRI 90+		POWER																															
SPECTRUM	KELVINS	1,92 W/m		0,6 W/ft		2,4 W/m		0,7 W/ft		4,8 W/m		1,5 W/ft		9,6 W/m		2,9 W/ft		14,4 W/m		4,4 W/ft		19,2 W/m		5,8 W/ft		24 W/m		7,3 W/ft		33,6 W/m		10,02 W/ft	
		lm/m	lm/ft	lm/m	lm/ft	lm/m	lm/ft	lm/m	lm/ft	lm/m	lm/ft	lm/m	lm/ft	lm/m	lm/ft	lm/m	lm/ft	lm/m	lm/ft	lm/m	lm/ft	lm/m	lm/ft	lm/m	lm/ft	lm/m	lm/ft	lm/m	lm/ft	lm/m	lm/ft		
822	2200K	-	-	-	-	460	140	915	279	1346	410	1772	540	2188	666	2968	903																
827	2700K	-	-	529	161	1051	320	1547	471	2032	619	2510	764	3406	1037																		
830	3000K	-	-	563	171	1119	341	1647	502	2164	659	2673	814	3628	1104																		
835	3500K	-	-	597	182	1187	361	1748	532	2296	699	2836	864	3843	1170																		
840	4000K	-	-	631	192	1256	382	1848	563	2428	739	3000	914	4065	1237																		
850	5000K	-	-	666	203	1324	403	1948	593	2555	778	3158	962	4287	1305																		
857	5700K	-	-	700	213	1392	424	2045	623	2687	818	3321	1011	4501	1370																		
865	6500K	-	-	700	213	1392	424	2045	623	2687	818	3321	1011	4501	1370																		
EFFICACY						139 lm/W		138 lm/W		133 lm/W		133 lm/W		132 lm/W		128 lm/W																	

Possible allowed deviation of optical and electrical values are ±15%. Allowed measurement uncertainty ±7%. All values in datasheet are for reference only and customers should take these values on their own risk. Holectron reserves the right for changes without prior notice.

LUMEN VALUES OF LED STRIPS

FL112/NX G5 - WHITE LIGHT



CRI 80+		POWER															
		1,92 W/m	0.6 W/ft	2.4 W/m	0.7 W/ft	4,8 W/m	1.5 W/ft	9,6 W/m	2.9 W/ft	14,4 W/m	4.4 W/ft	19,2 W/m	5.8 W/ft	24 W/m	7.3 W/ft	33,6 W/m	10.02 W/ft
SPECTRUM	KELVINS	1	2	4	9	14	19	24	33								
		lm/m	lm/ft	lm/m	lm/ft	lm/m	lm/ft	lm/m	lm/ft	lm/m	lm/ft	lm/m	lm/ft	lm/m	lm/ft	lm/m	lm/ft
820	2000K	-	-	490	149	1002	305	1516	462	2021	615	2509	764	3436	1046		
822	2200K	-	-	531	162	1084	330	1640	499	2186	666	2715	827	3718	1132		
825	2500K	-	-	581	177	1187	361	1796	547	2393	729	2972	905	4070	1239		
827	2700K	-	-	679	207	1388	423	2100	639	2799	852	3476	1058	4760	1449		
830	3000K	-	-	700	213	1429	435	2162	658	2882	878	3579	1090	4901	1492		
835	3500K	-	-	716	218	1462	445	2212	674	2948	898	3662	1115	5014	1526		
840	4000K	-	-	718	219	1466	446	2218	675	2957	900	3672	1118	5028	1531		
850	5000K	-	-	789	240	1563	476	2324	708	3070	935	3804	1158	5232	1593		
857	5700K	-	-	761	232	1508	459	2242	683	2963	902	3670	1118	5048	1537		
865	6500K	-	-	761	232	1508	459	2242	683	2963	902	3670	1118	5048	1537		
EFFICACY				164 lm/W		163 lm/W		161 lm/W		160 lm/W		159 lm/W		156 lm/W			

CRI 90+		POWER															
		1,92 W/m	0.6 W/ft	2.4 W/m	0.7 W/ft	4,8 W/m	1.5 W/ft	9,6 W/m	2.9 W/ft	14,4 W/m	4.4 W/ft	19,2 W/m	5.8 W/ft	24 W/m	7.3 W/ft	33,6 W/m	10.02 W/ft
SPECTRUM	KELVINS	1	2	4	9	14	19	24	33								
		lm/m	lm/ft	lm/m	lm/ft	lm/m	lm/ft	lm/m	lm/ft	lm/m	lm/ft	lm/m	lm/ft	lm/m	lm/ft	lm/m	lm/ft
820	2000K	-	-	425	129	840	256	1244	379	1637	498	2020	615	2755	838		
822	2200K	-	-	465	142	908	276	1346	410	1771	539	2185	665	2980	907		
825	2500K	-	-	499	152	986	300	1460	445	1921	585	2370	722	3233	984		
827	2700K	-	-	602	183	1197	364	1781	542	2350	716	2902	884	3962	1206		
830	3000K	-	-	619	188	1231	375	1832	558	2416	736	2985	909	4075	1240		
835	3500K	-	-	634	193	1261	384	1876	571	2475	754	3057	931	4173	1270		
840	4000K	-	-	640	195	1274	388	1895	577	2500	761	3088	940	4215	1283		
850	5000K	-	-	675	206	1346	410	2004	610	2647	806	3271	996	4470	1361		
857	5700K	-	-	671	204	1337	407	1992	607	2630	801	3251	990	4442	1352		
865	6500K	-	-	667	203	1329	405	1992	607	2613	796	3230	984	4413	1343		
EFFICACY				141 lm/W		140 lm/W		139 lm/W		138 lm/W		136 lm/W		133 lm/W			

CRI 95+		POWER															
		1,92 W/m	0.6 W/ft	2.4 W/m	0.7 W/ft	4,8 W/m	1.5 W/ft	9,6 W/m	2.9 W/ft	14,4 W/m	4.4 W/ft	19,2 W/m	5.8 W/ft	24 W/m	7.3 W/ft	33,6 W/m	10.02 W/ft
SPECTRUM	KELVINS	1	2	4	9	14	19	24	33								
		lm/m	lm/ft	lm/m	lm/ft	lm/m	lm/ft	lm/m	lm/ft	lm/m	lm/ft	lm/m	lm/ft	lm/m	lm/ft	lm/m	lm/ft
827	2700K	-	-	491	150	973	296	1443	439	1900	579	2345	714	3199	974		
830	3000K	-	-	501	153	994	303	1475	449	1942	591	2396	730	3269	995		
835	3500K	-	-	512	156	1015	309	1506	459	1984	604	2448	745	3340	1017		
840	4000K	-	-	519	158	1028	313	1525	464	2009	612	2478	755	3382	1029		
850	5000K	-	-	554	169	1101	335	1637	498	2159	657	2667	812	3645	1109		
EFFICACY				115 lm/W		115 lm/W		114 lm/W		112 lm/W		111 lm/W		108 lm/W			

Possible allowed deviation of optical and electrical values are ±15%. Allowed measurement uncertainty ±7%. All values in datasheet are for reference only and customers should take these values on their own risk. Holectron reserves the right for changes without prior notice. www.holectron.com | Customizable Linear LED Lighting Products

LUMEN VALUES OF LED STRIPS

TW70/NX G5 - TUNABLE WHITE LIGHT

CRI 80+		POWER							
SPECTRUM	KELVINS	9,6 W/m		19,2 W/m		33,4 W/m		45,6 W/m	
		2,9 W/ft	5,8 W/ft	5,8 W/ft	10,2 W/ft	10,2 W/ft	14 W/ft	14 W/ft	
		lm/m	lm/ft	lm/m	lm/ft	lm/m	lm/ft	lm/m	lm/ft
820/865	2000-6500K	1254	382	2503	762	4301	1310		
825/857	2500-5700K	1346	410	2690	819	4623	1408		
827/857	2700-5700K	1446	440	2893	881	4974	1515		
827/850	2700-5000K	1473	449	2947	897	5067	1543		
827/865	2700-6500K	1446	440	2893	881	4974	1515		
EFFICACY		158 lm/W		158 lm/W		155 lm/W			



CRI 90+		POWER							
SPECTRUM	KELVINS	9,6 W/m		19,2 W/m		33,4 W/m		45,6 W/m	
		2,9 W/ft	5,8 W/ft	5,8 W/ft	10,2 W/ft	10,2 W/ft	14 W/ft	14 W/ft	
		lm/m	lm/ft	lm/m	lm/ft	lm/m	lm/ft	lm/m	lm/ft
920/965	2000-6500K	1231	375	2433	741	4158	1266		
925/957	2500-5700K	1239	377	2455	748	4185	1274		
927/950	2700-5000K	1274	388	2519	767	4289	1306		
EFFICACY		146 lm/W		147 lm/W		144 lm/W			

TW70/DX G5 - TUNABLE WHITE LIGHT

CRI 80+		POWER							
SPECTRUM	KELVINS	9,6 W/m		19,2 W/m		33,4 W/m		45,6 W/m	
		2,9 W/ft	5,8 W/ft	5,8 W/ft	10,2 W/ft	10,2 W/ft	14 W/ft	14 W/ft	
		lm/m	lm/ft	lm/m	lm/ft	lm/m	lm/ft	lm/m	lm/ft
822/865	2200-6500K	1270	387	2506	763	3592	1094		
827/857	2700-5700K	1347	410	2659	810	4551	1386		
827/850	2700-5000K	1347	410	2659	810	4551	1386		
827/865	2700-6500K	1347	410	2659	810	4551	1386		
EFFICACY		148 lm/W		146 lm/W		143 lm/W			



CRI 90+		POWER							
SPECTRUM	KELVINS	9,6 W/m		19,2 W/m		33,4 W/m		45,6 W/m	
		2,9 W/ft	5,8 W/ft	5,8 W/ft	10,2 W/ft	10,2 W/ft	14 W/ft	14 W/ft	
		lm/m	lm/ft	lm/m	lm/ft	lm/m	lm/ft	lm/m	lm/ft
922/965	2200-6500K	1160	353	2256	687	3818	1163		
927/957	2700-5700K	1228	374	2387	727	4042	1231		
927/950	2700-5000K	1194	364	2321	707	3929	1196		
927/965	2700-6500K	1228	374	2387	727	4042	1231		
EFFICACY		143 lm/W		141 lm/W		137 lm/W			

Possible allowed deviation of optical and electrical values are ±15%. Allowed measurement uncertainty ±7%.
 All values in datasheet are for reference only and customers should take these values on their own risk. Holectron reserves the right for changes without prior notice.
 www.holectron.com | Customizable Linear LED Lighting Products

LUMEN VALUES OF LED STRIPS

TW2-112/NX G4 - TUNABLE DUAL WHITE LIGHT

CRI 80+						POWER			
SPECTRUM	KELVINS	9,6 W/m 2.9 W/ft		19,2 W/m 5.9 W/ft		33,6 W/m 10.02 W/ft		48 W/m 14.6 W/ft	
		lm/m	lm/ft	lm/m	lm/ft	lm/m	lm/ft	lm/m	lm/ft
822/865	2200-6500K	1343	409	2665	811	4524	1378		
	EFFICACY	140 Lm/W		139 Lm/W		135 Lm/W			



LUMEN VALUES OF LED STRIPS

RGB48/NX G5 - RGB LIGHT

RGB	POWER			
	7,2 W/m	2,2 W/ft	11,52 W/m	3,5 W/ft
COLOR	7		11	
	lm/m	lm/ft	lm/m	lm/ft
RED	65	20	104	32
GREEN	208	63	307	93
BLUE	43	13	69	21
TOTAL RGB LUMINOUS FLUX	316	96	480	146
EFFICACY	44 lm/W		42 lm/W	



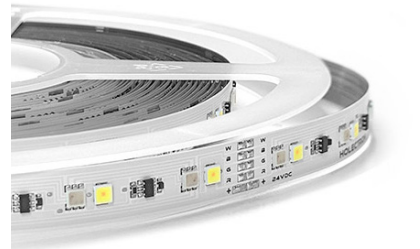
RGB96/NX G5 - RGB LIGHT

RGB	POWER					
	11,52 W/m	3,5 W/ft	14,4 W/m	4,4 W/ft	23 W/m	7,0 W/ft
COLOR	11		14		23	
	lm/m	lm/ft	lm/m	lm/ft	lm/m	lm/ft
RED	86	26	130	40	209	64
GREEN	254	77	383	117	614	187
BLUE	58	18	87	26	139	42
TOTAL RGB LUMINOUS FLUX	398	121	600	183	962	293
EFFICACY	42 lm/W		42 lm/W		42 lm/W	



RGBW48/NX G5 - RGBW LIGHT

RGBW	POWER							
	9,6 W/m	2,9 W/ft	14,4 W/m	4,4 W/ft	19,2 W/m	5,8 W/ft	24 W/m	7,3 W/ft
COLOR	9		14		19		24	
	lm/m	lm/ft	lm/m	lm/ft	lm/m	lm/ft	lm/m	lm/ft
RED	65	20	98	30	104	32	104	32
GREEN	208	63	287	87	307	93	307	93
BLUE	43	13	65	20	69	21	69	21
TOTAL RGB LUMINOUS FLUX	316	96	450	137	480	146	480	146



CRI 80+		POWER							
SPECTRUM	KELVINS	9,6 W/m	2,9 W/ft	14,4 W/m	4,4 W/ft	19,2 W/m	5,8 W/ft	24 W/m	7,3 W/ft
		9	14	19	24				
		lm/m	lm/ft	lm/m	lm/ft	lm/m	lm/ft	lm/m	lm/ft
820	2000K	210	64	319	97	693	211	1116	340
822	2200K	227	69	345	105	750	228	1208	368
825	2500K	249	76	378	115	821	250	1322	403
827	2700K	291	89	442	135	960	292	1546	471
830	3000K	300	91	455	139	989	301	1592	485
835	3500K	306	93	466	142	1012	308	1629	496
840	4000K	307	93	467	142	1014	309	1633	497
850	5000K	338	103	505	154	1060	323	1692	515
857	5700K	326	99	487	148	1023	312	1633	497
865	6500K	326	99	487	148	1023	312	1633	497
	EFFICACY	58 lm/W		56 lm/W		64 lm/W		69 lm/W	

CRI 90+		POWER							
SPECTRUM	KELVINS	9,6 W/m	2,9 W/ft	14,4 W/m	4,4 W/ft	19,2 W/m	5,8 W/ft	24 W/m	7,3 W/ft
		9	14	19	24				
		lm/m	lm/ft	lm/m	lm/ft	lm/m	lm/ft	lm/m	lm/ft
920	2000K	182	55	271	83	567	173	898	273
922	2200K	197	60	294	90	613	187	971	296
925	2500K	213	65	318	97	665	202	1053	321
927	2700K	258	79	386	118	812	247	1290	393
930	3000K	265	81	397	121	835	254	1327	404
935	3500K	271	83	406	124	856	261	1359	414
940	4000K	274	83	411	125	864	263	1373	418
950	5000K	289	88	433	132	914	278	1454	443
957	5700K	287	87	431	131	909	277	1445	440
965	6500K	285	87	428	130	903	275	1436	437
	EFFICACY	63 lm/W		61 lm/W		73 lm/W		81 lm/W	

CRI 95+		POWER							
SPECTRUM	KELVINS	9,6 W/m	2,9 W/ft	14,4 W/m	4,4 W/ft	19,2 W/m	5,8 W/ft	24 W/m	7,3 W/ft
		9	14	19	24				
		lm/m	lm/ft	lm/m	lm/ft	lm/m	lm/ft	lm/m	lm/ft
027	2700K	210	64	314	96	658	200	1042	317
030	3000K	215	65	321	98	672	205	1065	324
035	3500K	219	67	328	100	687	209	1088	331
040	4000K	222	68	332	101	695	212	1102	336
050	5000K	237	72	355	108	746	227	1185	361
	EFFICACY	58 lm/W		56 lm/W		64 lm/W		69 lm/W	

Possible allowed deviation of optical and electrical values are ±15%. Allowed measurement uncertainty ±7%. All values in datasheet are for reference only and customers should take these values on their own risk. Holectron reserves the right for changes without prior notice. www.holectron.com | Customizable Linear LED Lighting Products

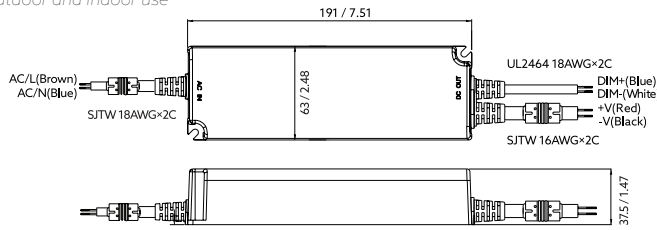
POWER CONSUMPTION PER FIXTURE LENGTH

LENGTH	4,8 W/m 1.5 W/ft		9,6 W/m 2.9 W/ft		14,4 W/m 4.4 W/ft		17,3 W/m 5.3 W/ft		19,2 W/m 5.9 W/ft		24 W/m 7.3 W/ft		33 W/m 10 W/ft	
	4	9	14	17	19	24	33							
4.9" 125 mm	0.6	0.2	1.2	0.4	1.8	0.5	2.2	0.7	2.4	0.7	3.0	0.9	4.1	1.3
7.4" 188 mm	0.9	0.3	1.8	0.5	2.7	0.8	3.3	1.0	3.6	1.1	4.5	1.4	6.2	1.9
9.8" 250 mm	1.2	0.4	2.4	0.7	3.6	1.1	4.3	1.3	4.8	1.5	6.0	1.8	8.3	2.5
1' 313 mm	1.5	0.5	3.0	0.9	4.5	1.4	5.4	1.6	6.0	1.8	7.5	2.3	10.3	3.1
1' 2" 375 mm	1.8	0.5	3.6	1.1	5.4	1.6	6.5	2.0	7.2	2.2	9.0	2.7	12.4	3.8
1' 5" 438 mm	2.1	0.6	4.2	1.3	6.3	1.9	7.6	2.3	8.4	2.6	10.5	3.2	14.5	4.4
1' 7" 500 mm	2.4	0.7	4.8	1.5	7.2	2.2	8.7	2.6	9.6	2.9	12.0	3.7	16.5	5.0
1' 10" 563 mm	2.7	0.8	5.4	1.6	8.1	2.5	9.7	3.0	10.8	3.3	13.5	4.1	18.6	5.7
2' 625 mm	3.0	0.9	6.0	1.8	9.0	2.7	10.8	3.3	12.0	3.7	15.0	4.6	20.6	6.3
2' 3" 688 mm	3.3	1.0	6.6	2.0	9.9	3.0	11.9	3.6	13.2	4.0	16.5	5.0	22.7	6.9
2' 5" 750 mm	3.6	1.1	7.2	2.2	10.8	3.3	13.0	4.0	14.4	4.4	18.0	5.5	24.8	7.5
2' 8" 813 mm	3.4	1.0	6.8	2.1	10.3	3.1	12.3	3.8	13.7	4.2	17.1	5.2	23.5	7.2
2' 10" 875 mm	4.2	1.3	8.4	2.6	12.6	3.8	15.1	4.6	16.8	5.1	21.0	6.4	28.9	8.8
3' 938 mm	4.5	1.4	9.0	2.7	13.5	4.1	16.2	4.9	18.0	5.5	22.5	6.9	31.0	9.4
3' 3" 1000 mm	4.8	1.5	9.6	2.9	14.4	4.4	17.3	5.3	19.2	5.8	24.0	7.3	33.0	10.0
3' 5" 1063 mm	5.1	1.6	10.2	3.1	15.3	4.7	18.4	5.6	20.4	6.2	25.5	7.8	35.1	10.7
3' 8" 1125 mm	5.4	1.6	10.8	3.3	16.2	4.9	19.5	5.9	21.6	6.6	27.0	8.2	37.1	11.3
3' 10" 1188 mm	5.7	1.7	11.4	3.5	17.1	5.2	20.6	6.3	22.8	6.9	28.5	8.7	39.2	11.9
4' 1" 1250 mm	6.0	1.8	12.0	3.7	18.0	5.5	21.6	6.6	24.0	7.3	30.0	9.1	41.3	12.6
4' 3" 1313 mm	6.3	1.9	12.6	3.8	18.9	5.8	22.7	6.9	25.2	7.7	31.5	9.6	43.3	13.2
4' 6" 1375 mm	6.6	2.0	13.2	4.0	19.8	6.0	23.8	7.2	26.4	8.0	33.0	10.0	45.4	13.8
4' 8" 1438 mm	6.9	2.1	13.8	4.2	20.7	6.3	24.9	7.6	27.6	8.4	34.5	10.5	47.5	14.4
4' 11" 1500 mm	7.2	2.2	14.4	4.4	21.6	6.6	26.0	7.9	28.8	8.8	36.0	11.0	49.5	15.1
5' 1" 1563 mm	7.5	2.3	15.0	4.6	22.5	6.9	27.0	8.2	30.0	9.1	37.5	11.4	51.6	15.7
5' 4" 1625 mm	7.8	2.4	15.6	4.8	23.4	7.1	28.1	8.6	31.2	9.5	39.0	11.9	53.6	16.3
5' 6" 1688 mm	8.1	2.5	16.2	4.9	24.3	7.4	29.2	8.9	32.4	9.9	40.5	12.3	55.7	17.0
5' 9" 1750 mm	8.4	2.6	16.8	5.1	25.2	7.7	30.3	9.2	33.6	10.2	42.0	12.8	57.8	17.6
5' 11" 1813 mm	8.7	2.6	17.4	5.3	26.1	7.9	31.4	9.6	34.8	10.6	43.5	13.2	59.8	18.2
6' 2" 1875 mm	9.0	2.7	18.0	5.5	27.0	8.2	32.4	9.9	36.0	11.0	45.0	13.7	61.9	18.8
6' 4" 1938 mm	9.3	2.8	18.6	5.7	27.9	8.5	33.5	10.2	37.2	11.3	46.5	14.2	64.0	19.5
6' 6" 2000 mm	9.6	2.9	19.2	5.8	28.8	8.8	34.6	10.5	38.4	11.7	48.0	14.6	66.0	20.1
6' 9" 2063 mm	9.9	3.0	19.8	6.0	29.7	9.0	35.7	10.9	39.6	12.1	49.5	15.1	68.1	20.7
6' 11" 2125 mm	10.2	3.1	20.4	6.2	30.6	9.3	36.8	11.2	40.8	12.4	51.0	15.5	70.1	21.4
7' 2" 2188 mm	10.5	3.2	21.0	6.4	31.5	9.6	37.9	11.5	42.0	12.8	52.5	16.0	72.2	22.0
7' 4" 2250 mm	10.8	3.3	21.6	6.6	32.4	9.9	38.9	11.9	43.2	13.2	54.0	16.4	74.3	22.6
7' 7" 2313 mm	11.1	3.4	22.2	6.8	33.3	10.1	40.0	12.2	44.4	13.5	55.5	16.9	76.3	23.2
7' 9" 2375 mm	11.4	3.5	22.8	6.9	34.2	10.4	41.1	12.5	45.6	13.9	57.0	17.4	78.4	23.9
7' 11" 2438 mm	11.7	3.6	23.4	7.1	35.1	10.7	42.2	12.8	46.8	14.3	58.5	17.8	80.5	24.5
8' 2" 2500 mm	12.0	3.7	24.0	7.3	36.0	11.0	43.3	13.2	48.0	14.6	60.0	18.3	82.5	25.1
8' 5" 2563 mm	12.3	3.7	24.6	7.5	36.9	11.2	44.3	13.5	49.2	15.0	61.5	18.7	84.6	25.8
8' 7" 2625 mm	12.6	3.8	25.2	7.7	37.8	11.5	45.4	13.8	50.4	15.3	63.0	19.2	86.6	26.4
8' 10" 2688 mm	12.9	3.9	25.8	7.9	38.7	11.8	46.5	14.2	51.6	15.7	64.5	19.6	88.7	27.0
9' 2750 mm	13.2	4.0	26.4	8.0	39.6	12.1	47.6	14.5	52.8	16.1	66.0	20.1	90.8	27.6
9' 2" 2813 mm	13.5	4.1	27.0	8.2	40.5	12.3	48.7	14.8	54.0	16.4	67.5	20.6	92.8	28.3
9' 5" 2875 mm	13.8	4.2	27.6	8.4	41.4	12.6	49.7	15.1	55.2	16.8	69.0	21.0	94.9	28.9
9' 7" 2938 mm	14.1	4.3	28.2	8.6	42.3	12.9	50.8	15.5	56.4	17.2	70.5	21.5	97.0	29.5
9' 10" 3000 mm	14.4	4.4	28.8	8.8	43.2	13.2	51.9	15.8	57.6	17.5	72.0	21.9	99.0	30.1

Possible allowed deviation of optical and electrical values are ±15%. Allowed measurement uncertainty ±7%.
 All values in datasheet are for reference only and customers should take these values on their own risk. Holectron reserves the right for changes without prior notice.
www.holectron.com | Customizable Linear LED Lighting Products

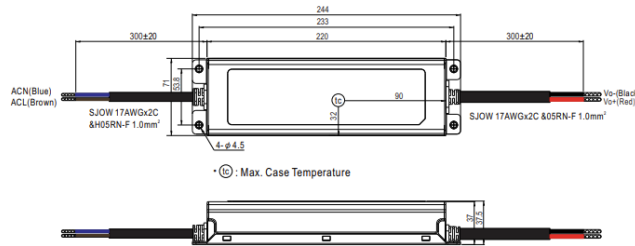
POWER SUPPLY 120W 24V IP67 0-10V

with 0-10V / DALI dimming for outdoor and indoor use



Order code	PSU MW PWM 120W 24V 5Y IP67 UL
Rated supply voltage	90-305 V 50/60 Hz
Output voltage	24 V DC
Output power	120 W
Dimming	0-10V / DALI
IP class	IP67

POWER SUPPLY 240W 24V IP67

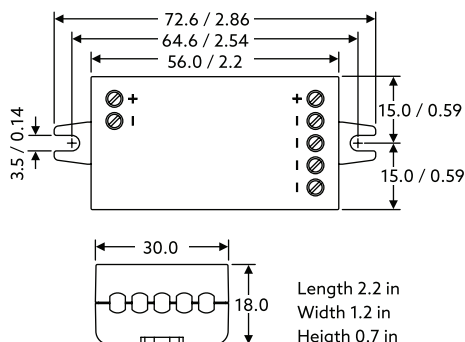


Order code	DRI.V24.OCO.FO.MW.00040
Rated supply voltage	115 - 277 V AC
AC voltage range	100 - 305 V AC
Output voltage	24 V DC
Output power	240 W
Dimming	no dimming
IP class	IP67

CONTROLLERS

WIRELESS BLUETOOTH

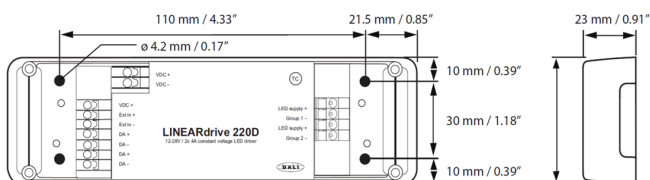
wireless controll using iOS or Android smartphones or tablets, for white, tunable white, RGB and RGB+W fixtures



Order code	DIM-CA-BT/PWM4
Control type	Wireless Bluetooth BLE Control using iOS or Android phones or tablets
LED type	Single color, Tunable white, RGB, RGB+W
Input voltage	12-24 VDC
Input current max	6A or 4A (US and Canada)
Output voltage	Same as input voltage
Output current	6 A (can be freely divided between the channels) 4 A (US and Canada)
Dimming method	PWM
IP class	IP20

0-10V FOR TUNABLE WHITE

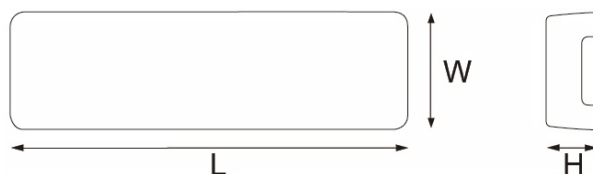
for tunable white fixtures



Order code	DIM EL 1-10V/TW
Control type	0-10V
LED type	Tunable white
Input voltage	12-24 VDC
Input current max	8 A, irrespective of PSU voltage
Output voltage	Same as input voltage
Output current	8 A maximum, irrespective of whether using one or both LED outputs
IP class	IP20

DMX/DALI FOR RGB+W

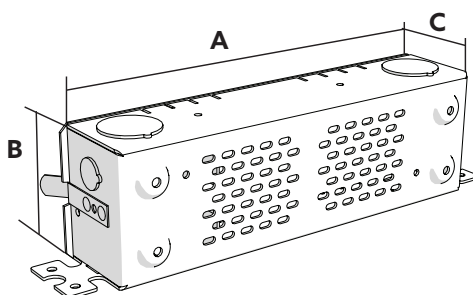
for white, tunable white, RGB and RGB+W fixtures



Length (L)	typical: 153 mm / 6.02 in
Width (W)	typical: 50 mm / 1.97 in
Height (H)	typical: 23 mm / 0.91 in
Weight	144 g

Order code	DIM EL DALI/RGBW
Control type	DMX and DALI
LED type	Single color, Tunable white, RGB, RGB+W
Input voltage	12-48 VDC
Input current max	24 A, irrespective of PSU voltage
Output voltage	Same as input voltage
Output current	RGBW @ 24V: 6A RGB @ 24V: 6A
IP class	IP20

DRIVER ENCLOSURES

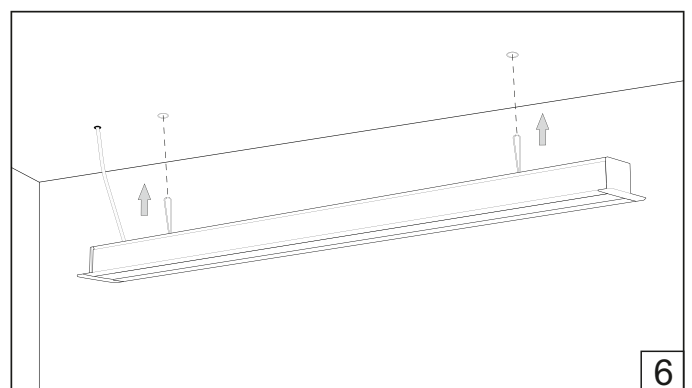
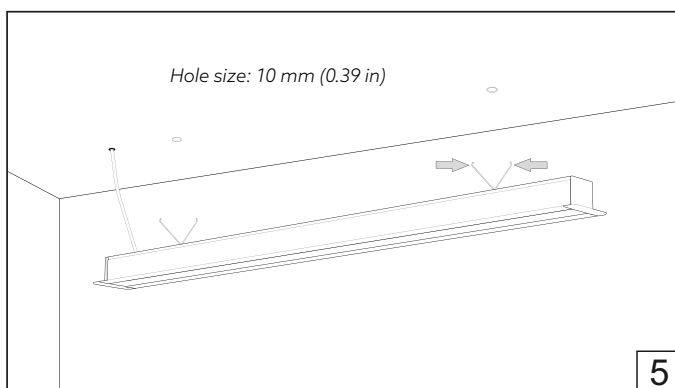
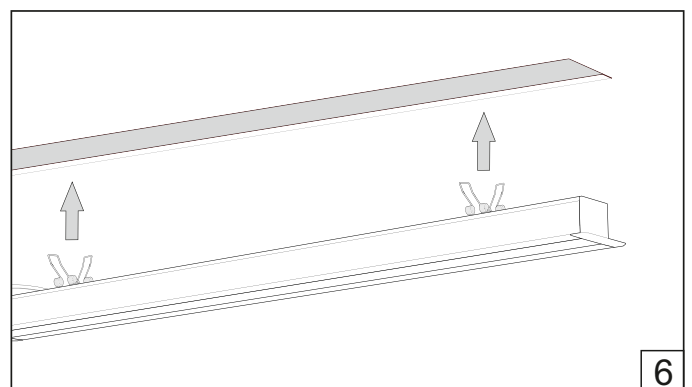
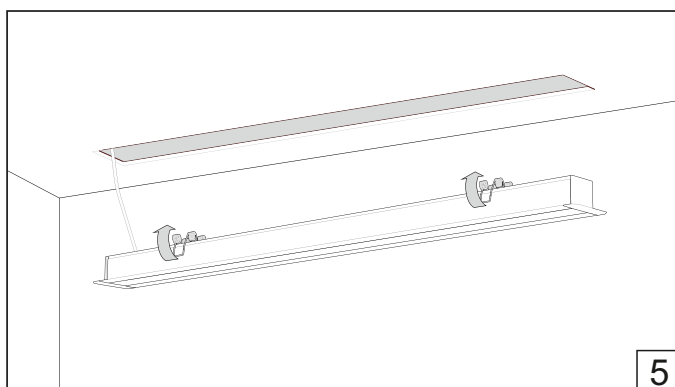
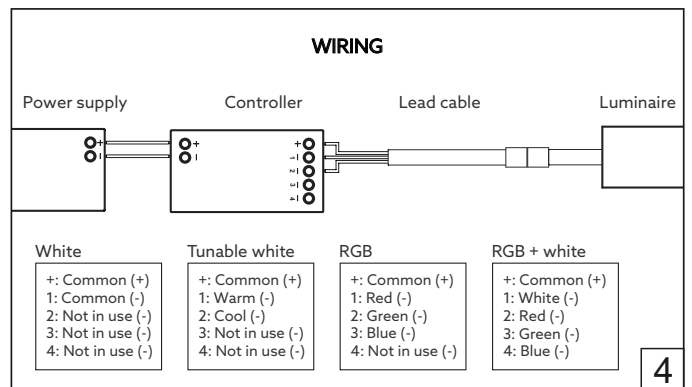
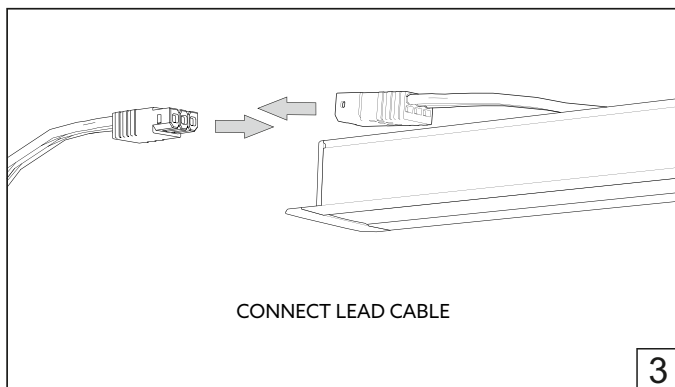
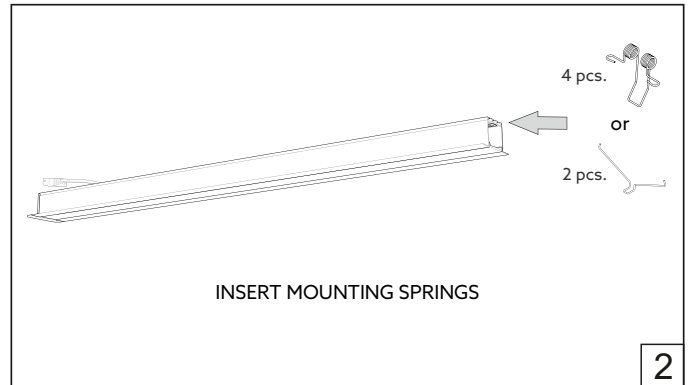
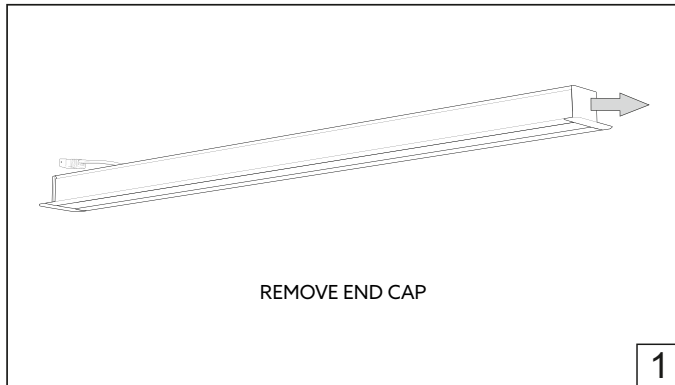


SIZE OPTIONS	A - LENGTH	C - HEIGHT	B - WIDTH
1	534 mm 21 inch	45 mm 1.7"	65 mm 2.6"
2	330 mm 13 inch	45 mm 1.7"	65 mm 2.6"

Possible allowed deviation of optical and electrical values are ±15%. Allowed measurement uncertainty ±7%.

All values in datasheet are for reference only and customers should take these values on their own risk. Holectron reserves the right for changes without prior notice.

INSTALLATION GUIDE



SAFETY / WARNINGS / DISCLOSURES

1. Install in accordance with national and local electrical code regulations.
2. Do not modify or disassemble this product beyond instructions or the warranty will be void.
3. Our channels, covers, end caps, and mounting brackets are also suitable for outdoor use with some considerations. Please consult with local Holecron representative to pick right fixtures for outdoor use.
4. Indoor (IP20) fixtures should never be mounted in areas receiving direct sunlight and locations where they can be submerged under water or might get in direct contact with water or puddling (rainfall, sprinkler, spray, etc.).
5. Avoid leaving gaps in any of the end cap or cover mating edges to the channel that will allow excess dust, debris, or water/moisture to enter the channel enclosure.
6. Actual product color may vary from what is pictured on this sheet and other print materials due to the limitations of photographic processes.
7. We reserve the right to modify and improve the design of our fixtures without prior notice. We cannot guarantee to match existing installed fixtures for subsequent orders or replacements in regards to product appearance, CCT, or lumen output.

SAFETY / WARNINGS / DISCLOSURES

Limited Warranty

This product has a five (5) year limited warranty from the date of shipment. This warranty does not include the additional accessories referenced in this specification sheet. Complete warranty details for fixtures and additional accessories are available online [download here](#). For warranty related questions please contact product support.

CONSUMER'S ACKNOWLEDGMENT

Holecron stands behind its products when they are used properly and according to our specifications. By purchasing our products, the purchaser agrees and acknowledges that lighting design, configuration and installation is a complex process, wherein seemingly minor factors or changes in layout and infield adjustments can have a significant impact on an entire system. Choosing the correct components is essential. Holecron is able to work with the original purchaser to make an appropriate product selection to the extent of the limited information that the customer can provide, but it is virtually impossible for Holecron to design a system that foresees every unknown factor. For this reason, this Warranty does not cover problems caused by improper design, configuration or installation issues.

Any statement from a Holecron employee or agent regarding a customer's bill of goods and/or purchase order is NOT an acknowledgment that the products

purchased are designed and configured correctly. The purchase agrees and acknowledges that it is the customer's responsibility to adhere strictly to all information contained in the Product Specification Sheets. There is often more than one way to design, configure and layout an LED lighting application properly to achieve the same lighting effect. Holecron strongly recommends that licensed professionals be used in the design and installation of lighting systems that include Holecron products. The specifications include important information that a designer and installer should carefully review and strictly follow. Qualified designers and certified and/or licensed installers, with access to the final installation environment, customer goals, and Holecron product specifications can make the requisite decisions appropriate for a successful finished lighting application.

HOLECTRON

HOLECTRON. All rights reserved.
Specifications are subject to change without notice.
Phone: +370 612 42446
email: info@holecron.com | www.holecron.com