



OUTLINE IP67 RGBW

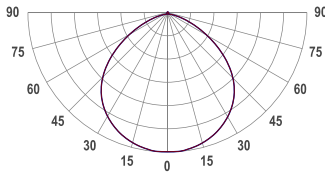
Outline A002M IEC PBK ECL / RGBW48/Nx G4 014W 825 L1000
Luminaire segment



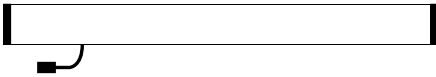
COLORS

Black housing

PHOTOMETRICS

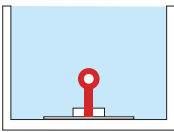


SEGMENT LAYOUT



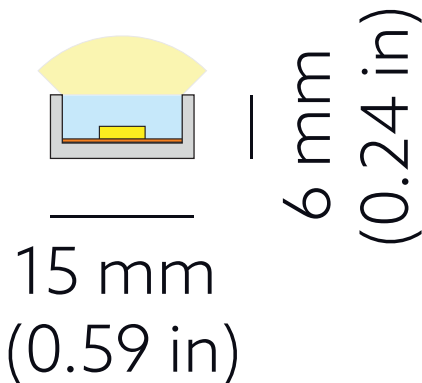
Luminaire type segment

CONNECTION TYPE



End exit wire

TECHNICAL DRAWING



SPECTRUM	2500K CRI 80+ 3-Step MacAdam
COVER	Clear
LUMINOUS FLUX	Per segment: 517 lm Light source (per segment): 828 lm Per meter/feet: 517 lm/m 157 lm/ft RGB only: 281 lm/m
EFFICACY	Luminaire: 36 lm/W Light source: 58 lm/W
LIFETIME	L70B50 50.000h
HOUSING	Aluminum, polyurethane
ELECTRICAL	Segment power: 14.4 W Power per meter/feet: 14.4 W/m Voltage: 24 VDC
TEMPERATURE	Tc max <75°C (167°F) Operating: -25°C...+50°C (-13°F...122°F)
OTHER DETAILS	IP67 protection Dimmable Install in well-ventilated areas only

DIMENSIONS	Width: 16 mm (0.63") Height: 6 mm (0.24") Length: 1004 mm 3.3'
-------------------	--

Possible allowed deviation of optical and electrical values are ±15%. Allowed measurement uncertainty ±7%.
All values in datasheet are for reference only and customers should take these values on their own risk. HOLECTRON reserves the right for changes without prior notice.