



# OUTLINE IP67 RGBW

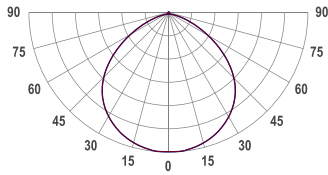
Outline A002M IEC PBK ECL / RGBW48/Nx G4 014W 822 L1000  
Luminaire segment



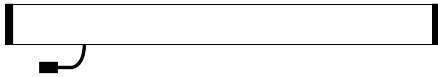
## COLORS

Black housing

## PHOTOMETRICS

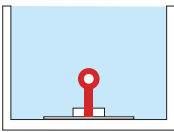


## SEGMENT LAYOUT



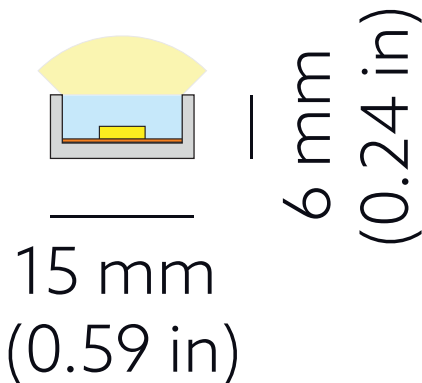
Luminaire type segment

## CONNECTION TYPE



End exit wire

## TECHNICAL DRAWING



## SPECTRUM

2200K  
CRI 80+  
3-Step MacAdam

## COVER

Clear

## LUMINOUS FLUX

Per segment: 496 lm  
Light source (per segment): 795 lm  
  
Per meter/feet: 496 lm/m | 151 lm/ft  
RGB only: 281 lm/m

## EFFICACY

Luminaire: 34 lm/W  
Light source: 55 lm/W

## LIFETIME

L70B50 50.000h

## HOUSING

Aluminum, polyurethane

## ELECTRICAL

Segment power: 14.4 W  
Power per meter/feet: 14.4 W/m  
Voltage: 24 VDC

## TEMPERATURE

Tc max <75°C ( 167°F )  
Operating: -25°C...+50°C ( -13°F...122°F )

## OTHER DETAILS

IP67 protection  
Dimmable  
Install in well-ventilated areas only

## DIMENSIONS

Width: 16 mm (0.63")  
Height: 6 mm (0.24")  
Length: 1004 mm | 3.3'

Possible allowed deviation of optical and electrical values are ±15%. Allowed measurement uncertainty ±7%.  
All values in datasheet are for reference only and customers should take these values on their own risk. HOLECTRON reserves the right for changes without prior notice.