



OUTLINE IP67 RGBW

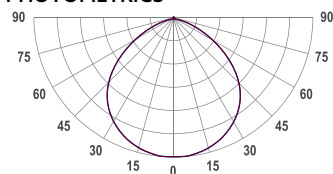
Outline A002M IEC AGY ECL / RGBW48/Nx G4 014W 822 L1000
Luminaire segment



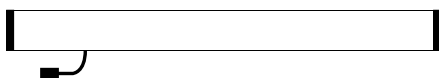
COLORS

Grey housing

PHOTOMETRICS

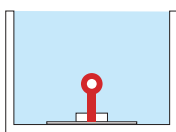


SEGMENT LAYOUT



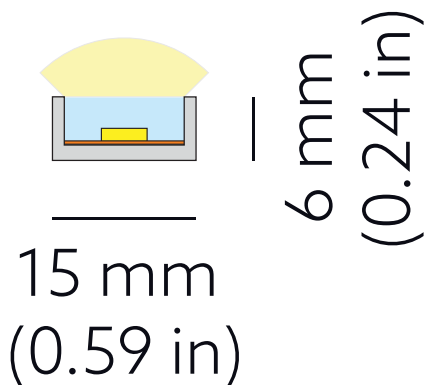
Luminaire type segment

CONNECTION TYPE



End exit wire

TECHNICAL DRAWING



SPECTRUM

2200K
CRI 80+
3-Step MacAdam

COVER

Clear

LUMINOUS FLUX

Per segment: 496 lm
Light source (per segment): 795 lm

Per meter/feet: 496 lm/m | 151 lm/ft
RGB only: 281 lm/m

EFFICACY

Luminaire: 34 lm/W
Light source: 55 lm/W

LIFETIME

L70B50 50.000h

HOUSING

Aluminum, polyurethane

ELECTRICAL

Segment power: 14.4 W
Power per meter/feet: 14.4 W/m
Voltage: 24 VDC

TEMPERATURE

Tc max <75°C (167°F)
Operating: -25°C...+50°C (-13°F...122°F)

OTHER DETAILS

IP67 protection
Dimmable
Install in well-ventilated areas only

DIMENSIONS

Width: 16 mm (0.63")
Height: 6 mm (0.24")
Length: 1004 mm | 3.3'

Possible allowed deviation of optical and electrical values are ±15%. Allowed measurement uncertainty ±7%.
All values in datasheet are for reference only and customers should take these values on their own risk. HOLECTRON reserves the right for changes without prior notice.