



MLINE IP67 WHITE

mLine A005M IEC PBK EOP / FL112/Nx G4 04W 822 L1000

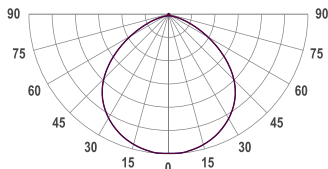
Luminaire segment



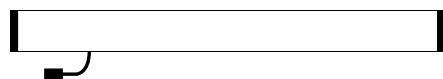
COLORS

Black housing

PHOTOMETRICS

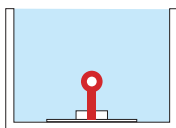


SEGMENT LAYOUT



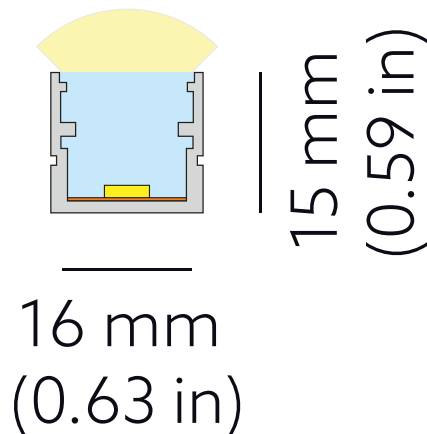
Luminaire type segment

CONNECTION TYPE



End exit wire

TECHNICAL DRAWING



SPECTRUM

2200K
CRI 80+
3-Step MacAdam

COVER

Opal

LUMINOUS FLUX

Per segment: 135 lm
Light source (per segment): 531 lm
Per meter/feet: 135 lm/m | 34 lm/ft

EFFICACY

Luminaire: 28 lm/W
Light source: 111 lm/W

LIFETIME

L90B10 60.000h

HOUSING

Aluminum, polyurethane

ELECTRICAL

Segment power: 4.8 W
Power per meter/feet: 4.8 W/m
Voltage: 24 VDC

TEMPERATURE

Tc max <75°C (167°F)
Operating: -25°C...+50°C (-13°F...122°F)

OTHER DETAILS

IP67 protection
Dimmable
Install in well-ventilated areas only

DIMENSIONS

Width: 16 mm (0.63")
Height: 15 mm (0.59")
Length: 1004 mm | 3.3'

Possible allowed deviation of optical and electrical values are $\pm 15\%$. Allowed measurement uncertainty $\pm 7\%$. All values in datasheet are for reference only and customers should take these values on their own risk. HOLECTRON reserves the right for changes without prior notice.