

# MLINE IP67 WHITE

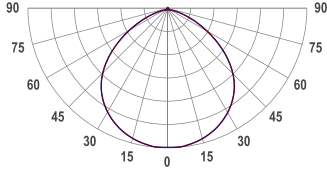
mLine A005M IEC PWE EOP / FL112/Nx G4 04W 822 L1000  
Luminaire segment



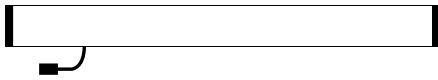
## COLORS

White housing

## PHOTOMETRICS

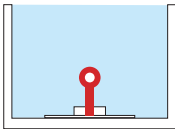


## SEGMENT LAYOUT



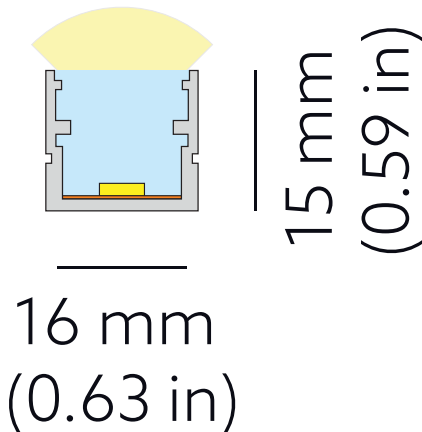
Luminaire type segment

## CONNECTION TYPE



End exit wire

## TECHNICAL DRAWING



<b>SPECTRUM</b>	2200K CRI 80+ 3-Step MacAdam
<b>COVER</b>	Opal
<b>LUMINOUS FLUX</b>	Per segment: 135 lm Light source (per segment): 531 lm Per meter/feet: 135 lm/m   34 lm/ft
<b>EFFICACY</b>	Luminaire: 28 lm/W Light source: 111 lm/W
<b>LIFETIME</b>	L90B10 60.000h
<b>HOUSING</b>	Aluminum, polyurethane
<b>ELECTRICAL</b>	Segment power: 4.8 W Power per meter/feet: 4.8 W/m Voltage: 24 VDC
<b>TEMPERATURE</b>	Tc max <75°C ( 167°F ) Operating: -25°C...+50°C ( -13°F...122°F )
<b>OTHER DETAILS</b>	IP67 protection Dimmable Install in well-ventilated areas only
<b>DIMENSIONS</b>	Width: 16 mm (0.63") Height: 15 mm (0.59") Length: 1004 mm   3.3'

Possible allowed deviation of optical and electrical values are ±15%. Allowed measurement uncertainty ±7%.  
All values in datasheet are for reference only and customers should take these values on their own risk. HOLECTRON reserves the right for changes without prior notice.