

MLINE IP67 WHITE

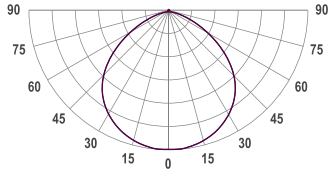
mLine A005M IEC AGY EOP / FL112/Nx G4 04W 822 L1000
Luminaire segment



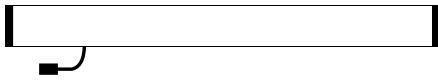
COLORS

 Grey housing

PHOTOMETRICS

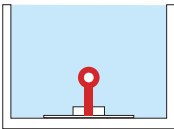


SEGMENT LAYOUT



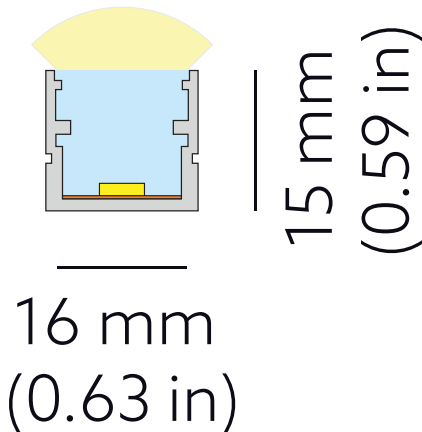
Luminaire type segment

CONNECTION TYPE



End exit wire

TECHNICAL DRAWING



SPECTRUM	2200K CRI 80+ 3-Step MacAdam
COVER	Opal
LUMINOUS FLUX	Per segment: 135 lm Light source (per segment): 531 lm Per meter/feet: 135 lm/m 34 lm/ft
EFFICACY	Luminaire: 28 lm/W Light source: 111 lm/W
LIFETIME	L90B10 60.000h
HOUSING	Aluminum, polyurethane
ELECTRICAL	Segment power: 4.8 W Power per meter/feet: 4.8 W/m Voltage: 24 VDC
TEMPERATURE	Tc max <75°C (167°F) Operating: -25°C...+50°C (-13°F...122°F)
OTHER DETAILS	IP67 protection Dimmable Install in well-ventilated areas only
DIMENSIONS	Width: 16 mm (0.63") Height: 15 mm (0.59") Length: 1004 mm 3.3'

Possible allowed deviation of optical and electrical values are ±15%. Allowed measurement uncertainty ±7%.
All values in datasheet are for reference only and customers should take these values on their own risk. HOLECTRON reserves the right for changes without prior notice.