



# MLINE IP67 WHITE

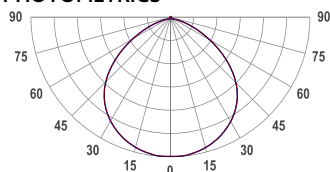
mLine A005M IEC PBK EOP / FL112/Nx G4 04W 820 L1000  
Luminaire segment



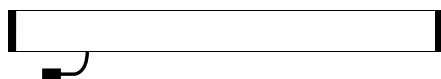
## COLORS

Black housing

## PHOTOMETRICS

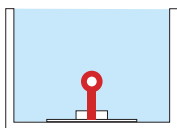


## SEGMENT LAYOUT



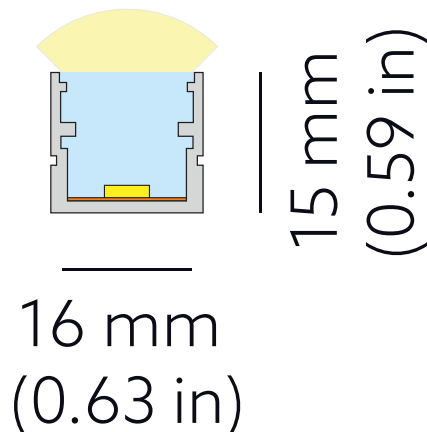
Luminaire type segment

## CONNECTION TYPE



End exit wire

## TECHNICAL DRAWING



## SPECTRUM

2000K  
CRI 80+  
3-Step MacAdam

## COVER

Opal

## LUMINOUS FLUX

Per segment: 124 lm  
Light source (per segment): 490 lm  
Per meter/feet: 124 lm/m | 31 lm/ft

## EFFICACY

Luminaire: 26 lm/W  
Light source: 102 lm/W

## LIFETIME

L90B10 60.000h

## HOUSING

Aluminum, polyurethane

## ELECTRICAL

Segment power: 4.8 W  
Power per meter/feet: 4.8 W/m  
Voltage: 24 VDC

## TEMPERATURE

Tc max <75°C ( 167°F )  
Operating: -25°C...+50°C ( -13°F...122°F )

## OTHER DETAILS

IP67 protection  
Dimmable  
Install in well-ventilated areas only

## DIMENSIONS

Width: 16 mm (0.63")  
Height: 15 mm (0.59")  
Length: 1004 mm | 3.3'

Possible allowed deviation of optical and electrical values are  $\pm 15\%$ . Allowed measurement uncertainty  $\pm 7\%$ . All values in datasheet are for reference only and customers should take these values on their own risk. HOLECTRON reserves the right for changes without prior notice.