



MLINE IP67 WHITE

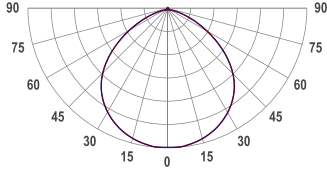
mLine A005M IEC PWE EOP / FL112/Nx G4 04W 820 L1000
Luminaire segment



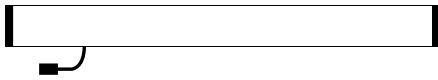
COLORS

White housing

PHOTOMETRICS

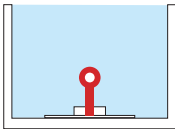


SEGMENT LAYOUT



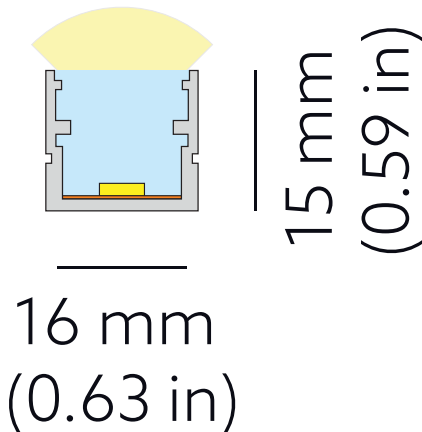
Luminaire type segment

CONNECTION TYPE



End exit wire

TECHNICAL DRAWING



SPECTRUM
2000K
CRI 80+
3-Step MacAdam

COVER
Opal

LUMINOUS FLUX
Per segment: 124 lm
Light source (per segment): 490 lm
Per meter/feet: 124 lm/m | 31 lm/ft

EFFICACY
Luminaire: 26 lm/W
Light source: 102 lm/W

LIFETIME
L90B10 60.000h

HOUSING
Aluminum, polyurethane

ELECTRICAL
Segment power: 4.8 W
Power per meter/feet: 4.8 W/m
Voltage: 24 VDC

TEMPERATURE
Tc max <75°C (167°F)
Operating: -25°C...+50°C (-13°F...122°F)

OTHER DETAILS
IP67 protection
Dimmable
Install in well-ventilated areas only

DIMENSIONS
Width: 16 mm (0.63")
Height: 15 mm (0.59")
Length: 1004 mm | 3.3'

Possible allowed deviation of optical and electrical values are $\pm 15\%$. Allowed measurement uncertainty $\pm 7\%$.
All values in datasheet are for reference only and customers should take these values on their own risk. HOLECTRON reserves the right for changes without prior notice.