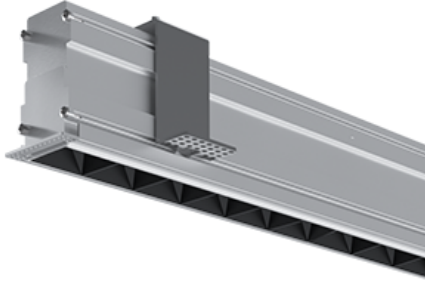


NEMAN X TRIMLESS



Neman-X T LUM PW X1 B D30 940 ND

Individual luminaire

Product code: NMX T LUM PW X1 B D30 940 N

Article No.: F3TADABBBGN

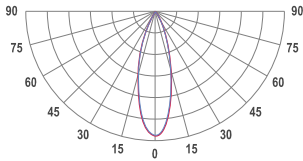
see drawings below for real representation



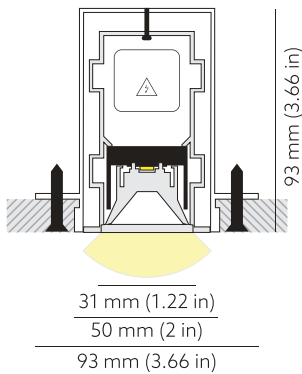
COLORS



PHOTOMETRICS



TECHNICAL DRAWING



| | |
|----------------------|---|
| MOUNTING | Trimless type |
| SPECTRUM | 4000K CRI 90+ 3-Step MacAdam |
| OPTICS | 30° |
| LUMINOUS FLUX | Luminaire: 127 Lm Light source: 174 Lm |
| EFFICACY | Luminaire: 79 Lm/W Light source: 109 Lm/W |
| LIFETIME | L90B10 60.000h |
| DIMMING | not dimmable |
| HOUSING | Aluminum, plastic |
| ELECTRICAL | Luminaire power: 1.6 W 220-240 VAC 50/60 Hz Integrated driver |
| OTHER DETAILS | IP40 ingress protection |
| DIMENSIONS | Width: 50mm / 2" Height: 93mm / 3.66" Length: 203 mm / 0.67' |
| MOUNTING HOLE | 203 x 53 mm / CuttingHoleLengthFt:value1 |
| LEDS LAYOUT | |



Possible allowed deviation of optical and electrical values are ±15%. Allowed measurement uncertainty ±7%. All values in datasheet are for reference only and customers should take these values on their own risk. HOLECTRON reserves the right for changes without prior notice.