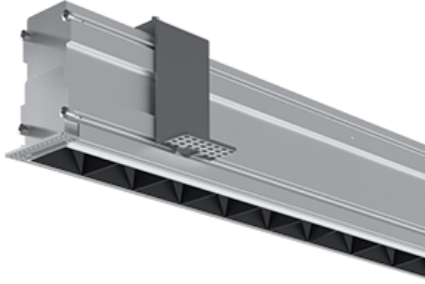


# NEMAN X TRIMLESS



## Neman-X T LUM PW X1 B D30 940 ND

Individual luminaire

Product code: NMX T LUM PW X1 B D30 940 N

Article No.: F3TADABBBGN

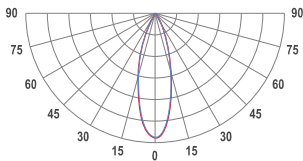
see drawings below for real representation



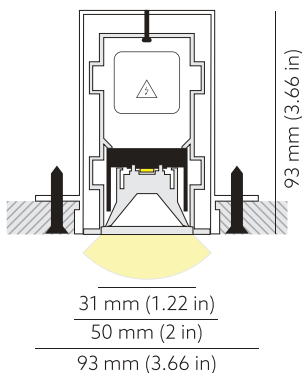
### COLORS



### PHOTOMETRICS



### TECHNICAL DRAWING



<b>MOUNTING</b>	Trimless type
<b>SPECTRUM</b>	4000K CRI 90+ 3-Step MacAdam
<b>OPTICS</b>	30°
<b>LUMINOUS FLUX</b>	Luminaire: 127 Lm Light source: 174 Lm
<b>EFFICACY</b>	Luminaire: 79 Lm/W Light source: 109 Lm/W
<b>LIFETIME</b>	L90B10 60.000h
<b>DIMMING</b>	not dimmable
<b>HOUSING</b>	Aluminum, plastic
<b>ELECTRICAL</b>	Luminaire power: 1.6 W 220-240 VAC 50/60 Hz Integrated driver
<b>OTHER DETAILS</b>	IP40 ingress protection
<b>DIMENSIONS</b>	Width: 50mm / 2" Height: 93mm / 3.66" Length: 203 mm / 0.67'
<b>MOUNTING HOLE</b>	203 x 53 mm / CuttingHoleLengthFt:value1
<b>LEDS LAYOUT</b>	



Possible allowed deviation of optical and electrical values are ±15%. Allowed measurement uncertainty ±7%. All values in datasheet are for reference only and customers should take these values on their own risk. HOLECTRON reserves the right for changes without prior notice.