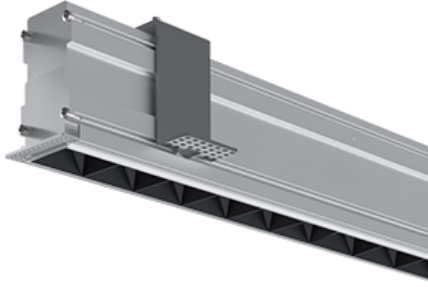


# NEMAN X - TRIMLESS CONTINUOUS



## Neman-X T STA PW X3-05 D30 927 L500 DALI

Start module for continuous line system

Product code: NMX T STA PW X3-05 B D30 927 0500 D

Article No.: F5TBDCPBBD0500D

Neman X Trimless luminaire contains changeable light engine. Luminaires lamps can be changed separately from the holding profile.

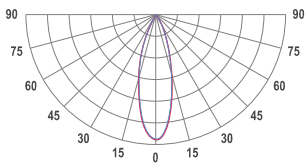
See luminaire drawings below for actual layout



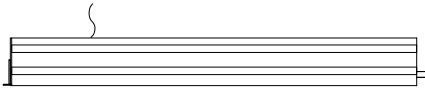
### COLORS



### PHOTOMETRICS

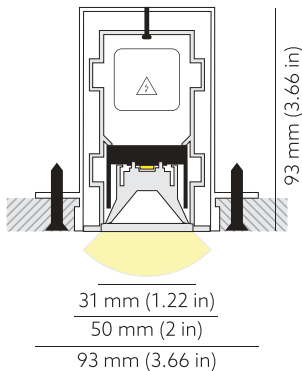


### SEGMENT TYPE LAYOUT



Start module

### TECHNICAL DRAWING



### MOUNTING

Trimless type

### SPECTRUM

2700K  
CRI 90+  
3-Step MacAdam

### OPTICS

30°

### LUMINOUS FLUX\*

Luminaire: 778 Lm  
Light source: 894 Lm

### EFFICACY

Luminaire: 74 Lm/W  
Light source: 85 Lm/W

### LIFETIME

L90B10 60.000h

### DIMMING

DALI, PushDim

### HOUSING

Aluminum, plastic

### ELECTRICAL

Luminaire power: 10.5 W  
220-240 VAC 50/60 Hz  
Integrated driver

### OTHER DETAILS

IP40 ingress protection

### DIMENSIONS

Width: 50mm / 2"  
Height: 93mm / 3.66"  
Length: 501.5 mm / 1.6'  
Distance between groups: 50 cm  
Black-out length: 408.5 mm / 1.34'

### MOUNTING HOLE

510 x 53 mm / 1.67' x 0.17"

### LEDS LAYOUT



\* Luminous flux values are based on tests with white housing. Lower luminous flux values might apply for other housing colors.

Possible allowed deviation of optical and electrical values are  $\pm 15\%$ . Allowed measurement uncertainty  $\pm 7\%$ . All values in datasheet are for reference only and customers should take these values on their own risk. HOLECTRON reserves the right for changes without prior notice.