

## Ula M

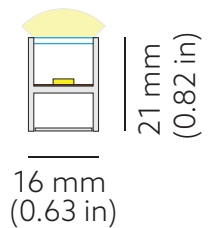
### SPECIFICATION SHEET

Thanks to its opal cover design, the Ula M can create a continuous light effect with no dark spots, making it ideal for direct lighting. This modular linear LED light is designed for long-term indoor lighting applications and comes fitted with the highest quality LEDs. These LEDs have a wide range of Color temperature (CCT) and Color rendering index (CRI) options to choose from.

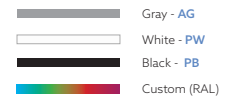
Integrated connectors are hidden inside each module. This provides for discrete, straight-forward and reliable module connection to create a seamless line of lighting.

Project	Date
Notes	Quantity

<b>Cover</b>	Opal / Clear (available on request)
<b>Light engine</b>	Any LED strip up to 24 W/m
<b>Beam angle</b>	113°
<b>Connection</b>	Input: plug; Output: socket
<b>Light output ratio (LOR)</b>	48%
<b>Dimmable</b>	YES
<b>Voltage</b>	24 VDC (22.5 - 25 VDC)



#### HOUSING COLORS



### ORDER CODE

MODEL	SEGMENT	WIRE	CONNECTOR	COVER	LED SOURCE	WATTAGE	CRI	CCT	CRI	CCT	HOUSING COLOR	LENGTH													
<b>ULA M</b>																									
<b>SEGMENT</b>	<b>L</b> luminaire	<b>S</b> start	<b>M</b> middle	<b>E</b> end	<b>F</b> full set																				
<b>WIRE</b>	<b>B</b> back																								
<b>CONNECTOR</b>	<b>C</b> connector	<b>T</b> tinned ends																							
<b>COVER</b>	<b>OP</b> opal	<b>CL</b> clear																							
<b>LED SOURCE</b>	<b>FL-112/N3</b> static white	<b>FL-112/D3</b> static white	<b>TW-70/N3</b> tunable white	<b>TW-70/D3</b> tunable white	<b>TW-112/N3 DUAL</b> dual tunable white	<b>RGB-48/N3</b> RGB	<b>RGBW-48/N3</b> RGB+W																		
<b>WATTAGE</b>	<b>4</b> 4W/m 1.5W/ft static white	<b>9</b> 9.6 W/m 2.9 W/ft static white, TW	<b>14</b> 14.4 W/m 4.4 W/ft static white, RGB	<b>19</b> 19.2 W/m 5.9 W/ft RGB	<b>24</b> 24 W/m 7.3 W/ft static white, TW																				
<b>CRI</b>	<b>8</b> CR I80+	<b>9</b> CR I90+	<b>0</b> CR I95+ <small>*for FL-112/N3 &amp; TW-56/N3 only</small>																						
<b>CCT</b>	<b>20</b> 2000K <small>*for FL-112/N3 &amp; TW-56/N3 only</small>	<b>22</b> 2200K	<b>25</b> 2500K <small>*for FL-112/N3 &amp; TW-56/N3 only</small>	<b>27</b> 2700K	<b>30</b> 3000K	<b>35</b> 3500K	<b>40</b> 4000K	<b>50</b> 5000K	<b>57</b> 5700K <small>*not available for RGBW-48/O3</small>	<b>65</b> 6500K															
<b>CRI</b>	<b>8</b> for tunable white only CR I80+	<b>9</b> CR I90+	<b>0</b> CR I95+																						
<b>CCT</b>	<b>20</b> for tunable white only 2000K <small>*for FL-112/N3 &amp; TW-56/N3 only</small>	<b>22</b> 2200K	<b>25</b> 2500K <small>*for FL-112/N3 &amp; TW-56/N3 only</small>	<b>27</b> 2700K	<b>30</b> 3000K	<b>35</b> 3500K	<b>40</b> 4000K	<b>50</b> 5000K	<b>57</b> 5700K	<b>65</b> 6500K															
<b>HOUSING COLOR</b>	<b>AG</b> anodized gray	<b>PW</b> painted white	<b>PB</b> painted black	<b>CUSTOM COLOR</b> contact sales																					
<b>LENGTH</b>	check "Segments" section for precise dimensions																								
	inches	4.9"	7.4"	9.8"	1'	1'2"	1'5"	1'7"	1'10"	2'	2'3"	2'5"	2'8"	2'10"	3'	3'3"	3'5"	3'8"	3'10"	4'1"	4'3"	4'6"	4'8"	4'11"	5'1"
	mm	125	188	250	313	375	438	500	563	625	688	750	813	875	938	1000	1063	1125	1188	1250	1313	1375	1438	1500	1563
	inches	5'4"	5'6"	5'9"	5'11"	6'2"	6'4"	6'6"	6'9"	6'11"	7'2"	7'4"	7'7"	7'9"	7'11"	8'2"	8'5"	8'7"	8'10"	9'	9'2"	9'5"	9'7"	9'10"	
	mm	1625	1688	1750	1813	1875	1938	2000	2063	2125	2188	2250	2313	2375	2438	2500	2563	2625	2688	2750	2813	2875	2938	3000	

**COVERS**

**OP - Opal**

70% light transmission



**BRACKETS**

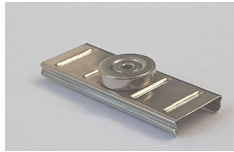
**AH101.FIX**

metal



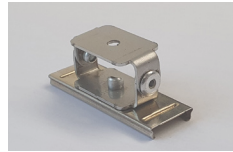
**AH102.FIX**

metal, magnet



**AH103.FIX**

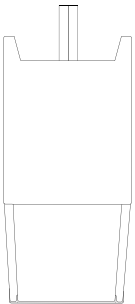
metal, adjustable



**WIRE**

**B - BACK EXIT WIRE**

wire through a hole on the back of the profile



**SEGMENTS**

**INDIVIDUAL LUMINAIRE**

Comes as individual luminaire with a connection to the power supply.

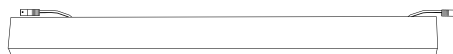


**L - LUMINAIRE**

Endcaps on both ends  
Input wire with male connector, no output wire  
Module length = **LENGTH** + 3 mm / 0.12" (back wire exit)

**CONTINUOUS LINE**

Connecting LED modules to a continuous line, no connection mark is visible between the modules.



**S - START MODULE**

Endcap on single end only  
Input wire with male connector, output with female  
Module length = **LENGTH** + 1,5 mm (0,06")

**M - MIDDLE MODULE**

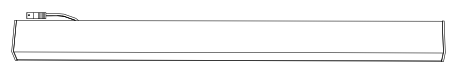
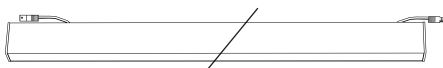
No endcaps on both ends  
Input wire with male connector, output with female  
Module length = **LENGTH**

**E - END MODULE**

Endcap on single end only  
Input wire with male connector, no output cable  
Module length = **LENGTH** + 1,5 mm (0,06")

**FULL SET INSTALLATION**

Connecting the LED module to a line connection endcaps are visible, no continuous light line is obtained.



**F - FULL SET MODULE**

Endcap on both ends  
Input wire with male connector, output female  
Module length = **LENGTH** + 3 mm / 0.12" (back wire exit)

**F - FULL SET MODULE**

**L - LUMINAIRE**

or

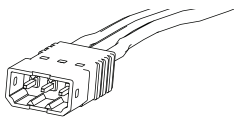
**F - FULL SET MODULE**

Possible allowed deviation of optical and electrical values are ±15%. Allowed measurement uncertainty ±7%. All values in datasheet are for reference only and customers should take these values on their own risk. Holectron reserves the right for changes without prior notice.

**CONNECTORS**

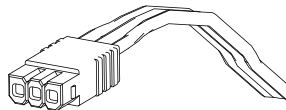
**MALE CONNECTOR**

for indoor use only



**FEMALE CONNECTOR**

for indoor use only



**LEAD WIRES END**

any connector can be applied

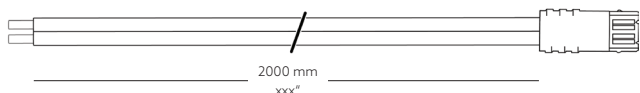


CONNECTOR DIMENSIONS		MALE		FEMALE	
<b>WHITE</b> <b>2-pin</b>	Length	0.61"	15.5 mm	0.59"	15 mm
	Width	0.263"	6.7 mm	0.24"	6.1 mm
	Height	0.196"	5 mm	0.196"	5 mm
<b>TW</b> <b>3-pin</b>	Length	0.61"	15.5 mm	0.59"	15 mm
	Width	0.362"	9.2 mm	0.338"	8.6 mm
	Height	0.196"	5 mm	0.196"	5 mm
<b>RGB</b> <b>4-pin</b>	Length	0.61"	15.5 mm	0.59"	15 mm
	Width	0.648"	16.5 mm	0.437"	11.1 mm
	Height	0.204"	5.2 mm	0.196"	5 mm
<b>RGBW</b> <b>5-pin</b>	Length	0.61"	15.5 mm	0.59"	15 mm
	Width	0.559"	14.2 mm	0.535"	13.6 mm
	Height	0.196"	5 mm	0.196"	5 mm

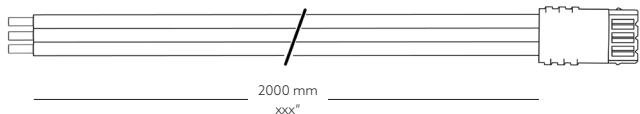
**LEAD CABLES**

Lead-wire cables are used to connect the LED module to the power supply unit.

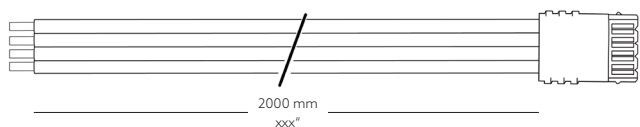
**For White LEDs**  
PH-TP-2M L2000



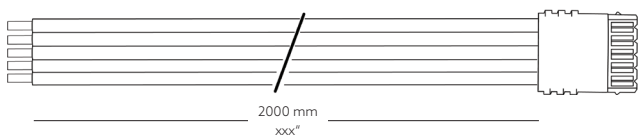
**For Tunable White LEDs**  
PH-TP-3M L2000



**For RGB LEDs**  
PH-TP-4M L2000



**For RGB+W LEDs**  
PH-TP-5M L2000



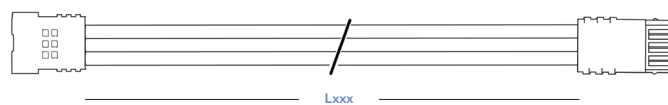
**EXTENSION CABLES**

Extension cables are used to connect two remote LED modules.

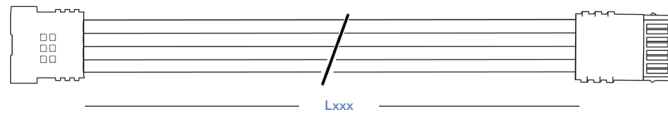
**For White LEDs**  
PH-TP-2M/2F Lxxx



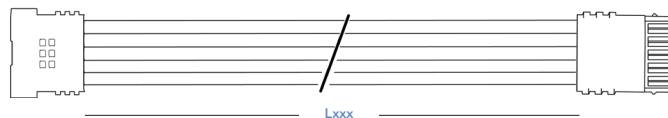
**For Tunable White LEDs**  
PH-TP-3M/3F Lxxxx



**For RGB LEDs**  
PH-TP-4M/4F Lxxxx



**For RGB+W LEDs**  
PH-TP-5M/5F Lxxxx



**EXTENSION CABLES LENGTHS**

	Lxxx	L150	L500	L1000	L2000
<b>Length</b>		150 mm 5.9"	500 mm 1 ft 8 in'	1000 mm 3 ft 3 in	2000 mm 6 ft 6 in

**LUMEN VALUES OF LED STRIPS**

**FL-112/D3 - WHITE LIGHT**

<b>CRI 80+</b>		<b>POWER</b>									
		4,8 W/m 1.5 W/ft		9,6 W/m 2.9 W/ft		14,4 W/m 4.4 W/ft		19,2 W/m 5.9 W/ft		24 W/m 7.3 W/ft	
<b>SPECTRUM</b>	<b>KELVINS</b>	<b>4</b>		<b>9</b>		<b>14</b>		<b>19</b>		<b>24</b>	
		lm/m	lm/ft	lm/m	lm/ft	lm/m	lm/ft	lm/m	lm/ft	lm/m	lm/ft
<b>822</b>	2200K	635	193	1210	368	1719	522	2239	681	2715	825
<b>827</b>	2700K	635	193	1210	368	1719	522	2239	681	2715	825
<b>830</b>	3000K	673	205	1283	390	1823	554	2375	722	2880	875
<b>835</b>	3500K	712	216	1356	412	1928	586	2511	763	3045	926
<b>840</b>	4000K	750	228	1430	435	2032	618	2647	805	3210	976
<b>850</b>	5000K	789	240	1501	456	2136	649	2783	846	3375	1026
<b>857</b>	5700K	789	240	1501	456	2136	649	2783	846	3375	1026
<b>865</b>	6500K	789	240	1501	456	2136	649	2783	846	3375	1026
<b>EFFICACY</b>		164 lm/W		156 lm/W		148 lm/W		145 lm/W		141 lm/W	



<b>CRI 90+</b>		<b>POWER</b>									
		4,8 W/m 1.5 W/ft		9,6 W/m 2.9 W/ft		14,4 W/m 4.4 W/ft		19,2 W/m 5.9 W/ft		24 W/m 7.3 W/ft	
<b>SPECTRUM</b>	<b>KELVINS</b>	<b>4</b>		<b>9</b>		<b>14</b>		<b>19</b>		<b>24</b>	
		lm/m	lm/ft	lm/m	lm/ft	lm/m	lm/ft	lm/m	lm/ft	lm/m	lm/ft
<b>922</b>	2200K	482	147	942	286	1356	412	1789	544	2188	665
<b>927</b>	2700K	518	157	1012	308	1457	443	1919	583	2351	715
<b>930</b>	3000K	554	168	1082	329	1558	474	2052	624	2510	763
<b>935</b>	3500K	590	179	1152	350	1659	504	2185	664	2673	812
<b>940</b>	4000K	626	190	1222	371	1760	535	2318	705	2836	862
<b>950</b>	5000K	626	190	1222	371	1760	535	2318	705	2836	862
<b>957</b>	5700K	626	190	1222	371	1760	535	2318	705	2836	862
<b>965</b>	6500K	626	190	1222	371	1760	535	2318	705	2836	862
<b>EFFICACY</b>		130 lm/W		127 lm/W		122 lm/W		121 lm/W		118 lm/W	

Possible allowed deviation of optical and electrical values are ±15%. Allowed measurement uncertainty ±7%. All values in datasheet are for reference only and customers should take these values on their own risk. Holectron reserves the right for changes without prior notice.

**LUMEN VALUES OF LED STRIPS**

**FL-112/N3 - WHITE LIGHT**

		<b>POWER</b>									
		4,8 W/m 1.5 W/ft		9,6 W/m 2.9 W/ft		14,4 W/m 4.4 W/ft		19,2 W/m 5.9 W/ft		24 W/m 7.3 W/ft	
<b>CRI 80+</b>		<b>4</b>		<b>9</b>		<b>14</b>		<b>19</b>		<b>24</b>	
<b>SPECTRUM</b>	<b>KELVINS</b>	lm/m	lm/ft	lm/m	lm/ft	lm/m	lm/ft	lm/m	lm/ft	lm/m	lm/ft
820	2000K	506	154	1022	312	1516	462	2035	620	2509	765
822	2200K	548	167	1106	337	1641	500	2202	671	2715	828
825	2500K	600	183	1211	369	1796	547	2410	735	2972	906
827	2700K	702	214	1416	432	2101	640	2819	859	3476	1059
830	3000K	722	220	1458	444	2163	659	2902	885	3579	1091
835	3500K	739	225	1492	455	2213	675	2969	905	3662	1116
840	4000K	741	226	1496	456	2219	676	2978	908	3672	1119
850	5000K	816	249	1598	487	2329	710	3095	943	3804	1159
857	5700K	787	240	1542	470	2247	685	2986	910	3670	1119
865	6500K	787	240	1542	470	2247	685	2986	910	3670	1119
	<b>EFFICACY</b>	170 lm/W		166 lm/W		162 lm/W		161 lm/W		159 lm/W	



		<b>POWER</b>									
		4,8 W/m 1.5 W/ft		9,6 W/m 2.9 W/ft		14,4 W/m 4.4 W/ft		19,2 W/m 5.9 W/ft		24 W/m 7.3 W/ft	
<b>CRI 90+</b>		<b>4</b>		<b>9</b>		<b>14</b>		<b>19</b>		<b>24</b>	
<b>SPECTRUM</b>	<b>KELVINS</b>	lm/m	lm/ft	lm/m	lm/ft	lm/m	lm/ft	lm/m	lm/ft	lm/m	lm/ft
920	2000K	438	134	856	261	1244	379	1648	502	2020	616
922	2200K	474	144	926	282	1346	410	1783	543	2158	658
925	2500K	514	157	1005	306	1460	445	1934	589	2370	722
927	2700K	584	178	1155	351	1691	514	2250	684	2762	840
930	3000K	597	181	1181	359	1729	526	2300	699	2823	858
935	3500K	613	186	1212	368	1773	539	2359	717	2896	880
940	4000K	624	190	1233	375	1805	549	2401	730	2947	896
950	5000K	665	202	1312	399	1917	583	2547	774	3122	949
957	5700K	661	201	1303	396	1904	579	2530	769	3102	943
965	6500K	657	200	1295	394	1892	575	2513	764	3081	936
	<b>EFFICACY</b>	139 lm/W		137 lm/W		133 lm/W		133 lm/W		130 lm/W	

		<b>POWER</b>									
		4,8 W/m 1.5 W/ft		9,6 W/m 2.9 W/ft		14,4 W/m 4.4 W/ft		19,2 W/m 5.9 W/ft		24 W/m 7.3 W/ft	
<b>CRI 95+</b>		<b>4</b>		<b>9</b>		<b>14</b>		<b>19</b>		<b>24</b>	
<b>SPECTRUM</b>	<b>KELVINS</b>	lm/m	lm/ft	lm/m	lm/ft	lm/m	lm/ft	lm/m	lm/ft	lm/m	lm/ft
027	2700K	507	154	994	302	1445	439	1915	582	2345	713
030	3000K	518	157	1015	309	1477	449	1957	595	2396	728
035	3500K	529	161	1037	315	1509	459	1999	608	2448	744
040	4000K	536	163	1050	319	1528	464	2024	615	2478	753
050	5000K	573	174	1124	342	1637	498	2173	660	2667	811
	<b>EFFICACY</b>	119 lm/W		117 lm/W		114 lm/W		113 lm/W		111 lm/W	

Possible allowed deviation of optical and electrical values are ±15%. Allowed measurement uncertainty ±7%. All values in datasheet are for reference only and customers should take these values on their own risk. Holectron reserves the right for changes without prior notice.

**LUMEN VALUES OF LED STRIPS**

**TW-70/N3 - TUNABLE WHITE LIGHT**

		POWER							
		9,6 W/m 2.9 W/ft		14,4 W/m 4.4 W/ft		19,2 W/m 5.9 W/ft		24 W/m	
SPECTRUM	KELVINS	9		14		19		24	
		lm/m	lm/ft	lm/m	lm/ft	lm/m	lm/ft	lm/m	
820/865	2000-6500K	1282	391	-	-	2522	769	-	
825/857	2500-5700K	1375	419	-	-	2710	826	-	
827/857	2700-5700K	1477	450	-	-	2915	888	-	
827/850	2700-5000K	1505	459	-	-	2970	905	-	
EFFICACY		157 lm/W				155 lm/W			



		POWER							
		9,6 W/m 2.9 W/ft		14,4 W/m 4.4 W/ft		19,2 W/m 5.9 W/ft		24 W/m	
SPECTRUM	KELVINS	9		14		19		24	
		lm/m	lm/ft	lm/m	lm/ft	lm/m	lm/ft	lm/m	
920/965	2000-6500K	1110	338	-	-	2160	658	-	
925/957	2500-5700K	1190	363	-	-	2313	705	-	
927/950	2700-5000K	1301	397	-	-	2537	773	-	
EFFICACY		136 lm/W				132 lm/W			

		POWER							
		9,6 W/m 2.9 W/ft		14,4 W/m 4.4 W/ft		19,2 W/m 5.9 W/ft		24 W/m	
SPECTRUM	KELVINS	9		14		19		24	
		lm/m	lm/ft	lm/m	lm/ft	lm/m	lm/ft	lm/m	
027/040	2700-4000K	1088	332	-	-	2022	616	-	
027/050	2700-5000K	1128	344	-	-	2103	641	-	
EFFICACY		118 lm/W				110 lm/W			

**TW-70/D3 - TUNABLE WHITE LIGHT**

		POWER							
		9,6 W/m 2.9 W/ft		14,4 W/m 4.4 W/ft		19,2 W/m 5.9 W/ft		24 W/m	
SPECTRUM	KELVINS	9		14		19		24	
		lm/m	lm/ft	lm/m	lm/ft	lm/m	lm/ft	lm/m	
827/840	2700-4000K	1297	395	-	-	2453	748	-	
827/850	2700-5700K	1309	399	-	-	2463	751	-	
827/857	2700-5700K	1304	397	-	-	2454	748	-	
827/865	2700-6500K	1296	395	-	-	2449	746	-	
EFFICACY		136 lm/W				128 lm/W			



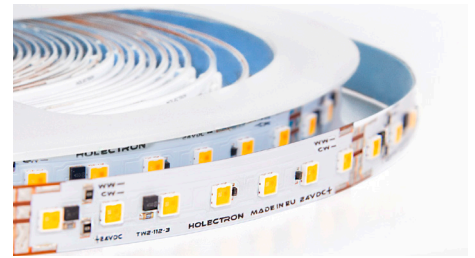
		POWER							
		9,6 W/m 2.9 W/ft		14,4 W/m 4.4 W/ft		19,2 W/m 5.9 W/ft		24 W/m	
SPECTRUM	KELVINS	9		14		19		24	
		lm/m	lm/ft	lm/m	lm/ft	lm/m	lm/ft	lm/m	
927/940	2700-4000K	1110	338	-	-	2090	637	-	
927/950	2700-5700K	1107	337	-	-	2085	636	-	
927/957	2700-5700K	1131	345	-	-	2130	649	-	
927/965	2700-6500K	1131	345	-	-	2130	649	-	
EFFICACY		118 lm/W				111 lm/W			

Possible allowed deviation of optical and electrical values are ±15%. Allowed measurement uncertainty ±7%. All values in datasheet are for reference only and customers should take these values on their own risk. Holectron reserves the right for changes without prior notice.

**LUMEN VALUES OF LED STRIPS**

**TW2-112/N3 - TUNABLE DUAL WHITE LIGHT**

<b>CRI 80+</b>		<b>POWER</b>							
		9,6 W/m 2.9 W/ft		14,4 W/m 4.4 W/ft		19,2 W/m 5.9 W/ft		24 W/m 7.3 W/ft	
<b>SPECTRUM</b>	<b>KELVINS</b>	<b>9</b>		<b>14</b>		<b>19</b>		<b>24</b>	
		lm/m	lm/ft	lm/m	lm/ft	lm/m	lm/ft	lm/m	lm/ft
<b>827/865</b>	2700-6500K	1377	419	-	-	2688	817	-	-
	<b>EFFICACY</b>	143 Lm/W				140 Lm/W			



**TW2-56/N3 - TUNABLE DUAL WHITE LIGHT**

<b>CRI 80+</b>		<b>POWER</b>							
		9,6 W/m 2.9 W/ft		14,4 W/m 4.4 W/ft		19,2 W/m 5.9 W/ft		24 W/m 7.3 W/ft	
<b>SPECTRUM</b>	<b>KELVINS</b>	<b>9</b>		<b>14</b>		<b>19</b>		<b>24</b>	
		lm/m	lm/ft	lm/m	lm/ft	lm/m	lm/ft	lm/m	lm/ft
<b>827/865</b>	2700-6500K	1360	413	-	-	2631	800	-	-
	<b>EFFICACY</b>	142 Lm/W				137 Lm/W			

Possible allowed deviation of optical and electrical values are ±15%. Allowed measurement uncertainty ±7%. All values in datasheet are for reference only and customers should take these values on their own risk. Holectron reserves the right for changes without prior notice.

**LUMEN VALUES OF LED STRIPS**

**RGB-48/N3 - RGB LIGHT**

RGB	POWER							
	8,6 W/m 2.6 W/ft		14,4 W/m 4.4 W/ft		17,3 W/m 5.3 W/ft		24 W/m 7.3 W/ft	
COLOR	8		14		17		24	
	lm/m	lm/ft	lm/m	lm/ft	lm/m	lm/ft	lm/m	lm/ft
RED	55	17	92	28	-	-	-	-
GREEN	189	58	315	96	-	-	-	-
BLUE	40	12	67	20	-	-	-	-
<b>TOTAL RGB LUMINOUS FLUX</b>	<b>284</b>	<b>87</b>	<b>474</b>	<b>144</b>	<b>-</b>	<b>-</b>	<b>-</b>	<b>-</b>
<b>EFFICACY</b>	<b>33 lm/W</b>		<b>33 lm/W</b>					



**RGB-96/N3 - RGB LIGHT**

RGB	POWER							
	8,6 W/m 2.6 W/ft		14,4 W/m 4.4 W/ft		17,3 W/m 5.3 W/ft		24 W/m	
COLOR	8		14		17		24	
	lm/m	lm/ft	lm/m	lm/ft	lm/m	lm/ft	lm/m	lm/ft
RED	-	-	-	-	110	34	-	-
GREEN	-	-	-	-	378	115	-	-
BLUE	-	-	-	-	80	24	-	-
<b>TOTAL RGB LUMINOUS FLUX</b>	<b>-</b>	<b>-</b>	<b>-</b>	<b>-</b>	<b>568</b>	<b>173</b>	<b>-</b>	<b>-</b>



**RGBW-48/N3 - RGBW LIGHT**

RGBW	POWER							
	8,6 W/m 2.6 W/ft		14,4 W/m 4.4 W/ft		19,2 W/m 5.9 W/ft		24 W/m 7.3 W/ft	
COLOR	8		14		19		24	
	lm/m	lm/ft	lm/m	lm/ft	lm/m	lm/ft	lm/m	lm/ft
RED	-	-	55	14	92	28	92	28
GREEN	-	-	189	49	315	96	315	96
BLUE	-	-	40	10	67	20	67	20
<b>TOTAL RGB LUMINOUS FLUX</b>	<b>-</b>	<b>-</b>	<b>284</b>	<b>74</b>	<b>474</b>	<b>144</b>	<b>474</b>	<b>144</b>
<b>EFFICACY</b>			<b>20 lm/W</b>		<b>25 lm/W</b>		<b>20 lm/W</b>	



CRI 80+	SPECTRUM	KELVINS	POWER									
			4,8 W/m 1.5 W/ft		9,6 W/m 2.9 W/ft		14,4 W/m 4.4 W/ft		19,2 W/m 5.9 W/ft		24 W/m 7.3 W/ft	
			4		9		14		19		24	
			lm/m	lm/ft	lm/m	lm/ft	lm/m	lm/ft	lm/m	lm/ft	lm/m	lm/ft
	822	2200K	-	-	515	157	426	130	796	243	-	-
	825	2500K	-	-	572	174	474	144	881	269	-	-
	827	2700K	-	-	647	197	543	166	1021	311	-	-
	830	3000K	-	-	647	197	543	166	1021	311	-	-
	835	3500K	-	-	647	197	543	166	1021	311	-	-
	840	4000K	-	-	702	214	589	180	1108	338	-	-
	850	5000K	-	-	702	214	589	180	1108	338	-	-
	865	6500K	-	-	702	214	589	180	1108	338	-	-
	<b>EFFICACY</b>				<b>49 lm/W</b>		<b>31 lm/W</b>		<b>46 lm/W</b>			

CRI 90+	SPECTRUM	KELVINS	POWER									
			4,8 W/m 1.5 W/ft		9,6 W/m 2.9 W/ft		14,4 W/m 4.4 W/ft		19,2 W/m 5.9 W/ft		24 W/m 7.3 W/ft	
			4		9		14		19		24	
			lm/m	lm/ft	lm/m	lm/ft	lm/m	lm/ft	lm/m	lm/ft	lm/m	lm/ft
	922	2200K	-	-	499	152	359	109	673	205	-	-
	927	2700K	-	-	499	152	383	117	719	219	-	-
	930	3000K	-	-	533	162	390	119	726	221	-	-
	935	3500K	-	-	540	165	399	122	740	226	-	-
	940	4000K	-	-	551	168	420	128	790	241	-	-
	950	5000K	-	-	564	172	446	136	835	255	-	-
	965	6500K	-	-	552	168	422	129	789	240	-	-
	<b>EFFICACY</b>				<b>39 lm/W</b>		<b>23 lm/W</b>		<b>35 lm/W</b>			

Possible allowed deviation of optical and electrical values are ±15%. Allowed measurement uncertainty ±7%. All values in datasheet are for reference only and customers should take these values on their own risk. Holectron reserves the right for changes without prior notice.



**POWER CONSUMPTION PER FIXTURE LENGTH**

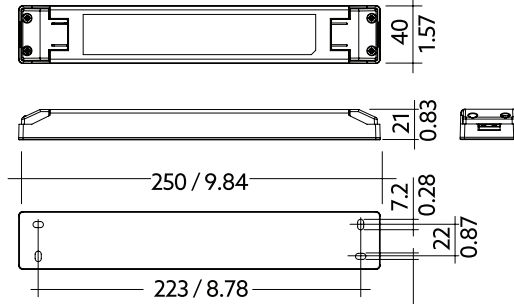
		4,8 W/m	1.5 W/ft	9,6 W/m	2.9 W/ft	14,4 W/m	4.4 W/ft	17,3 W/m	5.3 W/ft	19,2 W/m	5.9 W/ft	24 W/m	7.3 W/ft
<b>LENGTH</b>		<b>4</b>		<b>9</b>		<b>14</b>		<b>17</b>		<b>19</b>		<b>24</b>	
4.9"	125 mm	0.6 W		1.2 W		1.8 W		2.2 W		2.4 W		3.0 W	
7.4"	188 mm	0.9 W		1.8 W		2.7 W		3.3 W		3.6 W		4.5 W	
9.8"	250 mm	1.2 W		2.4 W		3.6 W		4.3 W		4.8 W		6.0 W	
1'	313 mm	1.5 W		3.0 W		4.5 W		5.4 W		6.0 W		7.5 W	
1' 2"	375 mm	1.8 W		3.6 W		5.4 W		6.5 W		7.2 W		9.0 W	
1' 5"	438 mm	2.1 W		4.2 W		6.3 W		7.6 W		8.4 W		10.5 W	
1' 7"	500 mm	2.4 W		4.8 W		7.2 W		8.7 W		9.6 W		12.0 W	
1' 10"	563 mm	2.7 W		5.4 W		8.1 W		9.7 W		10.8 W		13.5 W	
2'	625 mm	3.0 W		6.0 W		9.0 W		10.8 W		12.0 W		15.0 W	
2' 3"	688 mm	3.3 W		6.6 W		9.9 W		11.9 W		13.2 W		16.5 W	
2' 5"	750 mm	3.6 W		7.2 W		10.8 W		13.0 W		14.4 W		18.0 W	
2' 8"	813 mm	3.9 W		7.8 W		11.7 W		14.1 W		15.6 W		19.5 W	
2' 10"	875 mm	4.2 W		8.4 W		12.6 W		15.1 W		16.8 W		21.0 W	
3'	938 mm	4.5 W		9.0 W		13.5 W		16.2 W		18.0 W		22.5 W	
3' 3"	1000 mm	4.8 W		9.6 W		14.4 W		17.3 W		19.2 W		24.0 W	
3' 5"	1063 mm	5.1 W		10.2 W		15.3 W		18.4 W		20.4 W		25.5 W	
3' 8"	1125 mm	5.4 W		10.8 W		16.2 W		19.5 W		21.6 W		27.0 W	
3' 10"	1188 mm	5.7 W		11.4 W		17.1 W		20.6 W		22.8 W		28.5 W	
4' 1"	1250 mm	6.0 W		12.0 W		18.0 W		21.6 W		24.0 W		30.0 W	
4' 3"	1313 mm	6.3 W		12.6 W		18.9 W		22.7 W		25.2 W		31.5 W	
4' 6"	1375 mm	6.6 W		13.2 W		19.8 W		23.8 W		26.4 W		33.0 W	
4' 8"	1438 mm	6.9 W		13.8 W		20.7 W		24.9 W		27.6 W		34.5 W	
4' 11"	1500 mm	7.2 W		14.4 W		21.6 W		26.0 W		28.8 W		36.0 W	
5' 1"	1563 mm	7.5 W		15.0 W		22.5 W		27.0 W		30.0 W		37.5 W	
5' 4"	1625 mm	7.8 W		15.6 W		23.4 W		28.1 W		31.2 W		39.0 W	
5' 6"	1688 mm	8.1 W		16.2 W		24.3 W		29.2 W		32.4 W		40.5 W	
5' 9"	1750 mm	8.4 W		16.8 W		25.2 W		30.3 W		33.6 W		42.0 W	
5' 11"	1813 mm	8.7 W		17.4 W		26.1 W		31.4 W		34.8 W		43.5 W	
6' 2"	1875 mm	9.0 W		18.0 W		27.0 W		32.4 W		36.0 W		45.0 W	
6' 4"	1938 mm	9.3 W		18.6 W		27.9 W		33.5 W		37.2 W		46.5 W	
6' 6"	2000 mm	9.6 W		19.2 W		28.8 W		34.6 W		38.4 W		48.0 W	
6' 9"	2063 mm	9.9 W		19.8 W		29.7 W		35.7 W		39.6 W		49.5 W	
6' 11"	2125 mm	10.2 W		20.4 W		30.6 W		36.8 W		40.8 W		51.0 W	
7' 2"	2188 mm	10.5 W		21.0 W		31.5 W		37.9 W		42.0 W		52.5 W	
7' 4"	2250 mm	10.8 W		21.6 W		32.4 W		38.9 W		43.2 W		54.0 W	
7' 7"	2313 mm	11.1 W		22.2 W		33.3 W		40.0 W		44.4 W		55.5 W	
7' 9"	2375 mm	11.4 W		22.8 W		34.2 W		41.1 W		45.6 W		57.0 W	
7' 11"	2438 mm	11.7 W		23.4 W		35.1 W		42.2 W		46.8 W		58.5 W	
8' 2"	2500 mm	12.0 W		24.0 W		36.0 W		43.3 W		48.0 W		60.0 W	
8' 5"	2563 mm	12.3 W		24.6 W		36.9 W		44.3 W		49.2 W		61.5 W	
8' 7"	2625 mm	12.6 W		25.2 W		37.8 W		45.4 W		50.4 W		63.0 W	
8' 10"	2688 mm	12.9 W		25.8 W		38.7 W		46.5 W		51.6 W		64.5 W	
9'	2750 mm	13.2 W		26.4 W		39.6 W		47.6 W		52.8 W		66.0 W	
9' 2"	2813 mm	13.5 W		27.0 W		40.5 W		48.7 W		54.0 W		67.5 W	
9' 5"	2875 mm	13.8 W		27.6 W		41.4 W		49.7 W		55.2 W		69.0 W	
9' 7"	2938 mm	14.1 W		28.2 W		42.3 W		50.8 W		56.4 W		70.5 W	
9' 10"	3000 mm	14.4 W		28.8 W		43.2 W		51.9 W		57.6 W		72.0 W	

Possible allowed deviation of optical and electrical values are ±15%. Allowed measurement uncertainty ±7%. All values in datasheet are for reference only and customers should take these values on their own risk. Holectron reserves the right for changes without prior notice.

**POWER SUPPLIES**

**POWER SUPPLY 60W 24V**

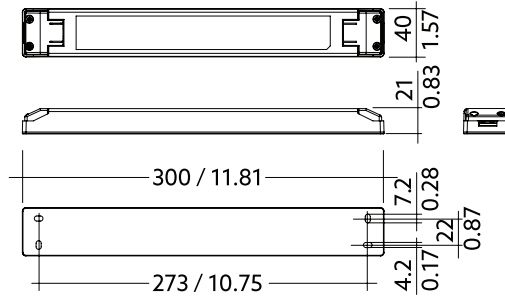
for indoor use only



Order code	PSU TR 60W 24V 5Y IP20 UL
Rated supply voltage	100-277 V 50/60 Hz
AC voltage range	90 - 305 V
Output voltage	24 V DC
Output power	60 W
Dimming	non-dimmable
IP class	IP20

**POWER SUPPLY 96W 24V**

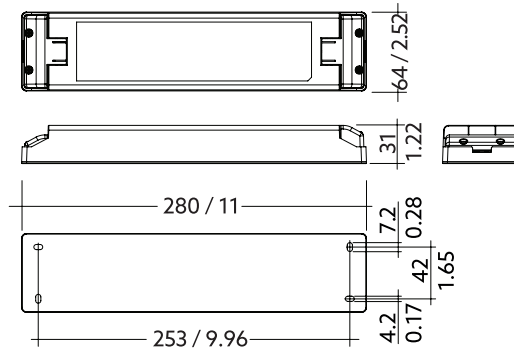
for indoor use only



Order code	PSU TR 96W 24V 5Y IP20 UL
Rated supply voltage	120-277 V 50/60 Hz
AC voltage range	108 - 305 V
Output voltage	24 V DC
Output power	96 W
Dimming	non-dimmable
IP class	IP20

**POWER SUPPLY 180W 24V**

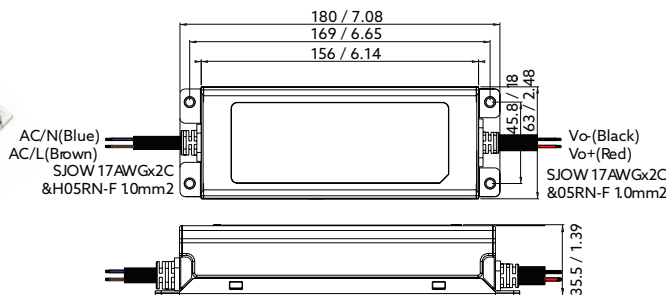
for indoor use only



Order code	PSU TR 180W 24V 5Y IP20 UL
Rated supply voltage	120-277 V 50/60 Hz
AC voltage range	108 - 305 V
Output voltage	24 V DC
Output power	180 W
Dimming	non-dimmable
IP class	IP20

**POWER SUPPLY 75W 24V IP67**

for outdoor and indoor use

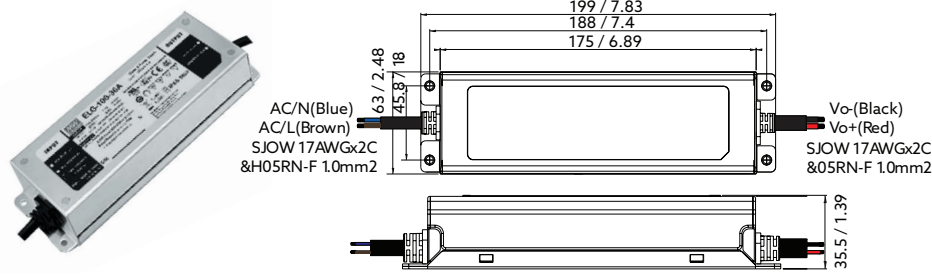


Order code	PSU MW ELG 75W 24V 5Y IP67 UL
Rated supply voltage	100-305 V 50/60 Hz
Output voltage	24 V DC
Output power	60 W (100-180 V AC) 75 W (200-305 V AC)
Dimming	non-dimmable
IP class	IP67

Possible allowed deviation of optical and electrical values are ±15%. Allowed measurement uncertainty ±7%. All values in datasheet are for reference only and customers should take these values on their own risk. Holectron reserves the right for changes without prior notice.

**POWER SUPPLY 100W 24V IP67**

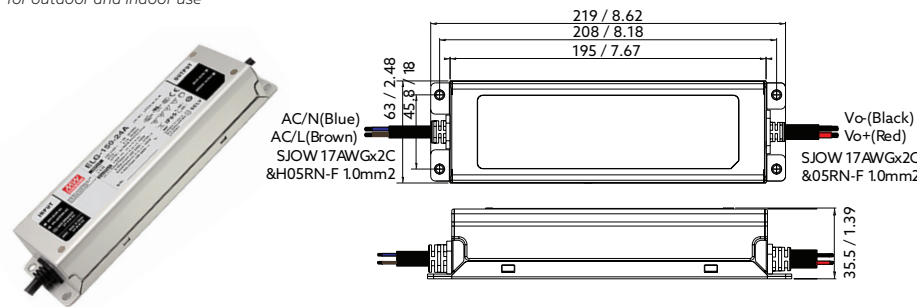
for outdoor and indoor use



<b>Order code</b>	PSU MW ELG 100W 24V 5Y IP67 UL
<b>Rated supply voltage</b>	100-305 V 50/60 Hz
<b>Output voltage</b>	24 V DC
<b>Output power</b>	70 W (100-180 V AC) 96 W (200-305 V AC)
<b>Dimming</b>	non-dimmable
<b>IP class</b>	IP67

**POWER SUPPLY 150W 24V IP67**

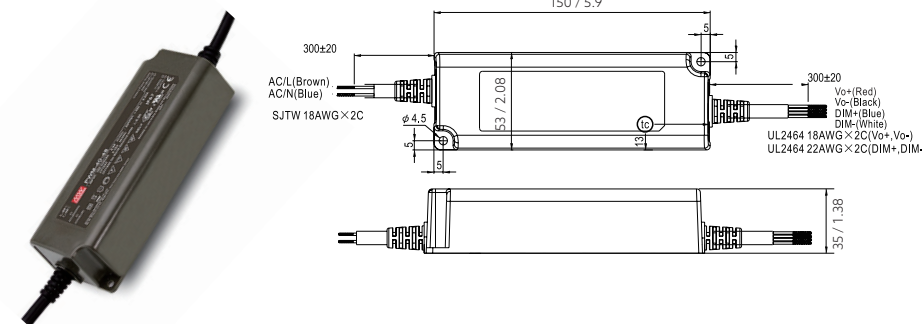
for outdoor and indoor use



<b>Order code</b>	PSU MW ELG 150W 24V 5Y IP67 UL
<b>Rated supply voltage</b>	100-305 V 50/60 Hz
<b>Output voltage</b>	24 V DC
<b>Output power</b>	105 W (100-180 V AC) 150 W (200-305 V AC)
<b>Dimming</b>	non-dimmable
<b>IP class</b>	IP67

**POWER SUPPLY 40W 24V IP67 0-10V**

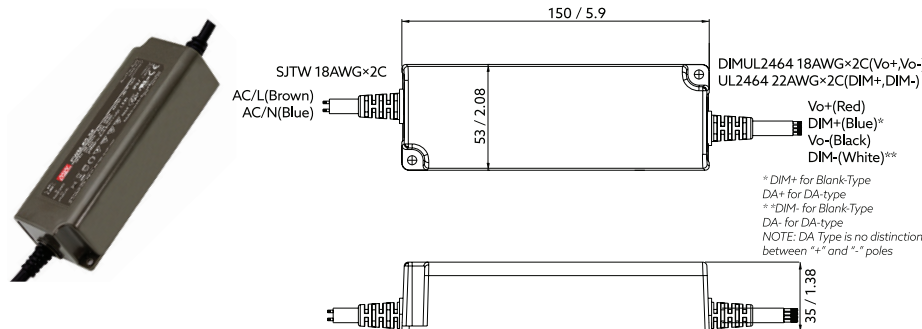
with 0-10V dimming for outdoor and indoor use



<b>Order code</b>	PSU MW PWM 40W 24V 5Y IP67 UL
<b>Rated supply voltage</b>	90-305 V 50/60 Hz
<b>Output voltage</b>	24 V DC
<b>Output power</b>	40 W
<b>Dimming</b>	0-10V
<b>IP class</b>	IP 67

**POWER SUPPLY 60W 24V IP67 0-10V**

with 0-10V / DALI dimming for outdoor and indoor use

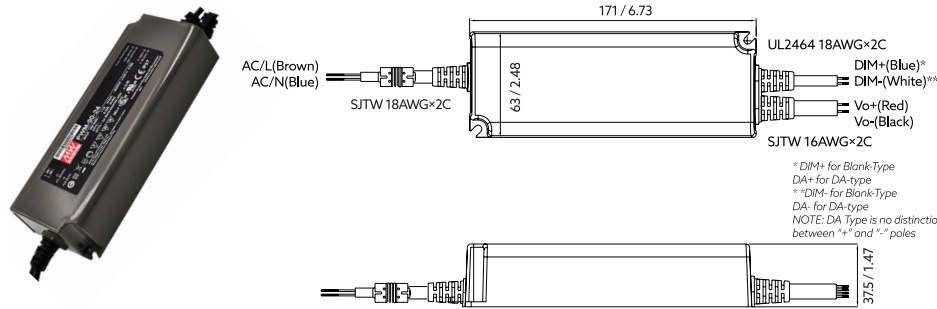


<b>Order code</b>	PSU MW PWM 60W 24V 5Y IP67 UL
<b>Rated supply voltage</b>	90-305 V 50/60 Hz
<b>Output voltage</b>	24 V DC
<b>Output power</b>	60 W
<b>Dimming</b>	0-10V / DALI
<b>IP class</b>	IP67

Possible allowed deviation of optical and electrical values are ±15%. Allowed measurement uncertainty ±7%. All values in datasheet are for reference only and customers should take these values on their own risk. Holectron reserves the right for changes without prior notice.

**POWER SUPPLY 90W 24V IP67 0-10V**

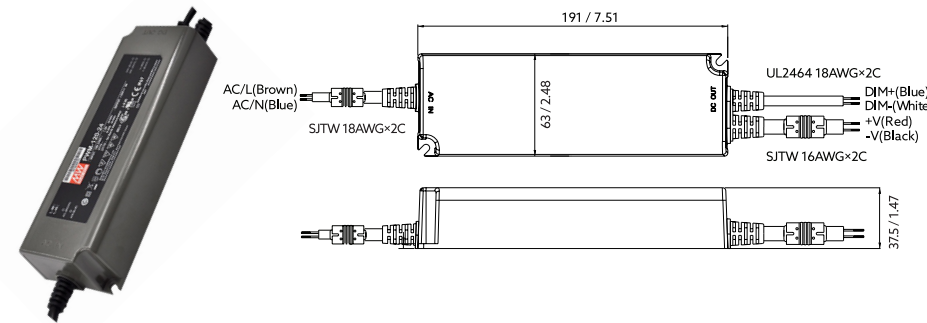
with 0-10V / DALI dimming for outdoor and indoor use



<b>Order code</b>	PSU MW PWM 90W 24V 5Y IP67 UL
<b>Rated supply voltage</b>	90-305 V 50/60 Hz
<b>Output voltage</b>	24 V DC
<b>Output power</b>	90 W
<b>Dimming</b>	0-10V / DALI
<b>IP class</b>	IP67

**POWER SUPPLY 120W 24V IP67 0-10V**

with 0-10V / DALI dimming for outdoor and indoor use

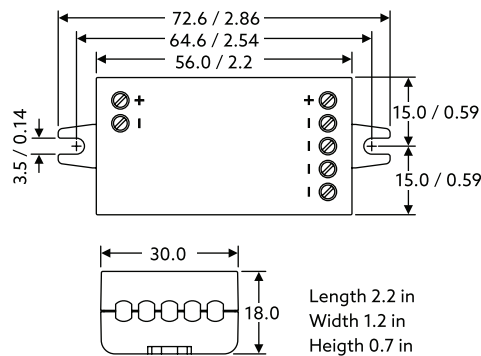


<b>Order code</b>	PSU MW PWM 120W 24V 5Y IP67 UL
<b>Rated supply voltage</b>	90-305 V 50/60 Hz
<b>Output voltage</b>	24 V DC
<b>Output power</b>	120 W
<b>Dimming</b>	0-10V / DALI
<b>IP class</b>	IP67

**CONTROLLERS**

**WIRELESS BLUETOOTH**

wireless controll using iOS or Android smartphones or tablets, for white, tunable white, RGB and RGB+W fixtures

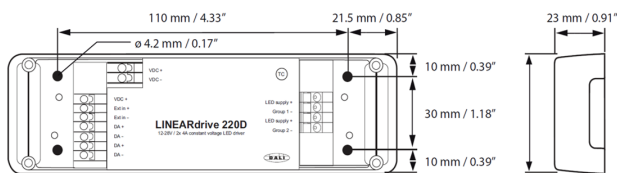


<b>Order code</b>	DIM-CA-BT/PWM4
<b>Control type</b>	Wireless Bluetooth BLE Control using iOS or Android phones or tablets
<b>LED type</b>	Single color, Tunable white, RGB, RGB+W
<b>Input voltage</b>	12-24 VDC
<b>Input current max</b>	6A or 4A (US and Canada)
<b>Output voltage</b>	Same as input voltage
<b>Output current</b>	6 A (can be freely divided between the channels) 4 A (US and Canada)
<b>Dimming method</b>	PWM
<b>IP class</b>	IP20

Possible allowed deviation of optical and electrical values are ±15%. Allowed measurement uncertainty ±7%. All values in datasheet are for reference only and customers should take these values on their own risk. Holectron reserves the right for changes without prior notice.

**0-10V FOR TUNABLE WHITE**

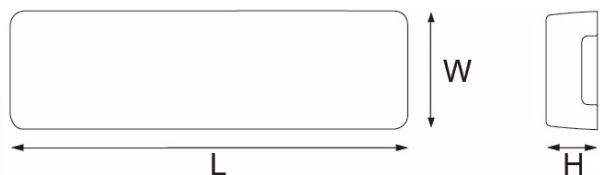
for tunable white fixtures



<b>Order code</b>	DIM EL 1-10V/TW
<b>Control type</b>	0-10V
<b>LED type</b>	Tunable white
<b>Input voltage</b>	12-24 VDC
<b>Input current max</b>	8 A, irrespective of PSU voltage
<b>Output voltage</b>	Same as input voltage
<b>Output current</b>	8 A maximum, irrespective of whether using one or both LED outputs
<b>IP class</b>	IP20

**DMX/DALI FOR RGB+W**

for white, tunable white, RGB and RGB+W fixtures

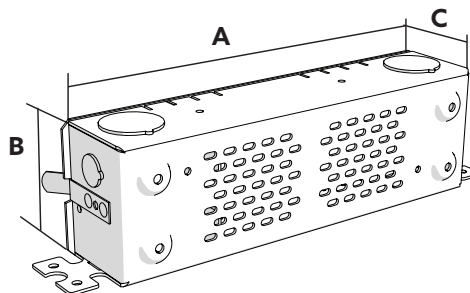


Length (L)	typical: 153 mm / 6.02 in
Width (W)	typical: 50 mm / 1.97 in
Height (H)	typical: 23 mm / 0.91 in
Weight	144 g

<b>Order code</b>	DIM EL DALI/RGBW
<b>Control type</b>	DMX and DALI
<b>LED type</b>	Single color, Tunable white, RGB, RGB+W
<b>Input voltage</b>	12-48 VDC
<b>Input current max</b>	24 A, irrespective of PSU voltage
<b>Output voltage</b>	Same as input voltage
<b>Output current</b>	RGBW @ 24V: 6A RGB @ 24V: 6A
<b>IP class</b>	IP20

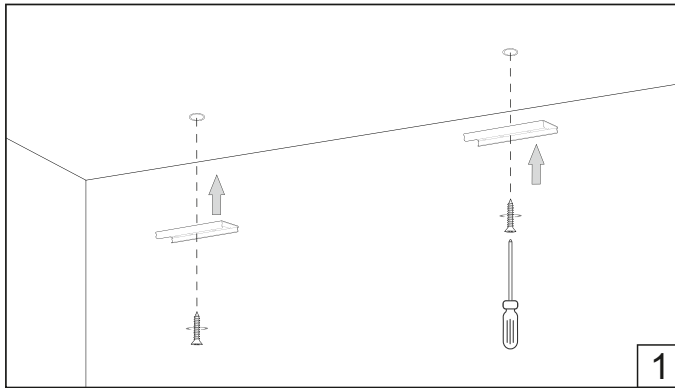
**DRIVER ENCLOSURES**

SIZE OPTIONS	A - LENGTH	C - HEIGHT	B - WIDTH
1	534 mm 21 inch	45 mm 1.7"	65 mm 2.6"
2	330 mm 13 inch	45 mm 1.7"	65 mm 2.6"

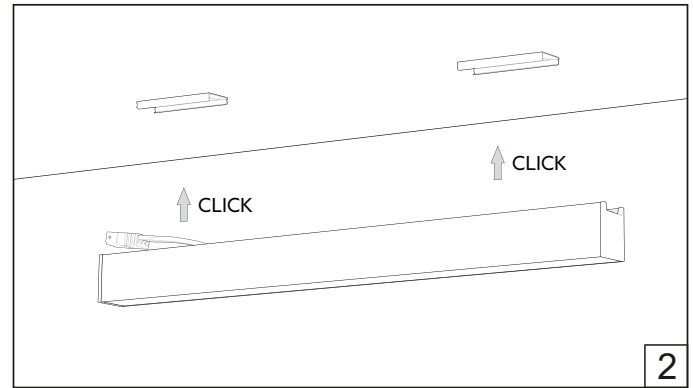


Possible allowed deviation of optical and electrical values are ±15%. Allowed measurement uncertainty ±7%. All values in datasheet are for reference only and customers should take these values on their own risk. Holectron reserves the right for changes without prior notice.

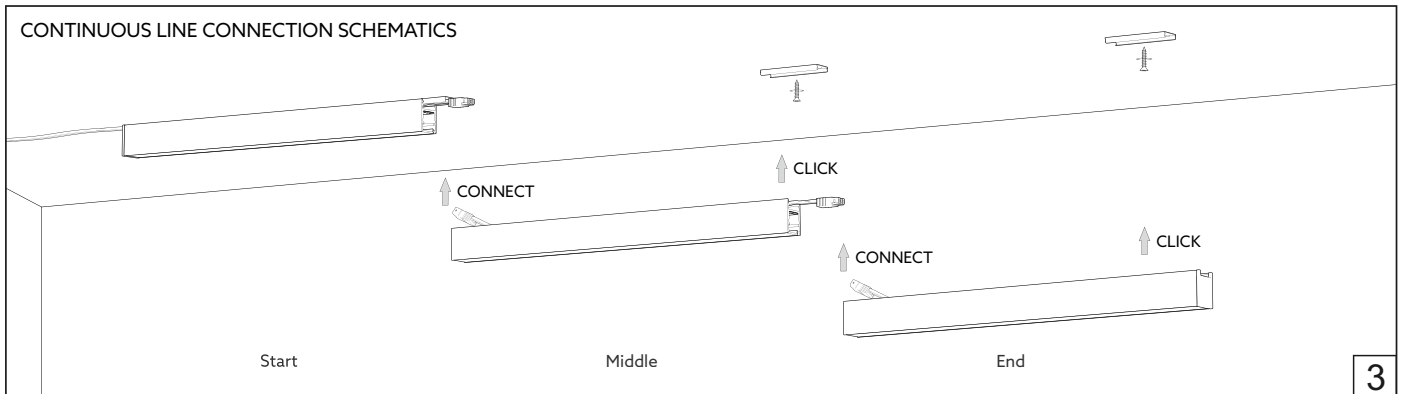
**INSTALLATION GUIDE**



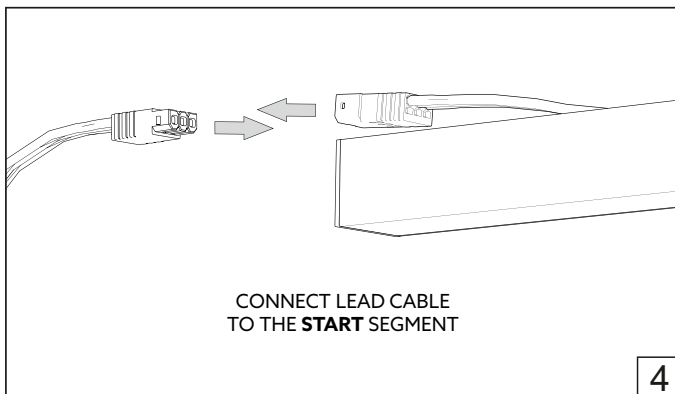
1



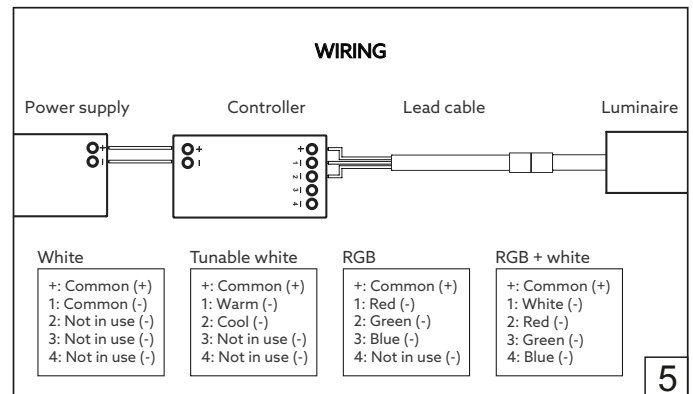
2



3



4



5

## SAFETY / WARNINGS / DISCLOSURES

1. Install in accordance with national and local electrical code regulations.
2. Do not modify or disassemble this product beyond instructions or the warranty will be void.
3. Our channels, covers, end caps, and mounting brackets are also suitable for outdoor use with some considerations. Please consult with local Holecron representative to pick right fixtures for outdoor use.
4. Indoor (IP20) fixtures should never be mounted in areas receiving direct sunlight and locations where they can be submerged under water or might get in direct contact with water or puddling (rainfall, sprinkler, spray, etc.).
5. Avoid leaving gaps in any of the end cap or cover mating edges to the channel that will allow excess dust, debris, or water/moisture to enter the channel enclosure.
6. Actual product color may vary from what is pictured on this sheet and other print materials due to the limitations of photographic processes.

7. We reserve the right to modify and improve the design of our fixtures without prior notice. We cannot guarantee to match existing installed fixtures for subsequent orders or replacements in regards to product appearance, CCT, or lumen output.

## SAFETY / WARNINGS / DISCLOSURES

### Limited Warranty

This product has a five (5) year limited warranty from the date of shipment. This warranty does not include the additional accessories referenced in this specification sheet. Complete warranty details for fixtures and additional accessories are available online [download here](#). For warranty related questions please contact product support.

## CONSUMER'S ACKNOWLEDGMENT

Holecron stands behind its products when they are used properly and according to our specifications. By purchasing our products, the purchaser agrees and acknowledges that lighting design, configuration and installation is a complex process, wherein seemingly minor factors or changes in layout and infield adjustments can have a significant impact on an entire system. Choosing the correct components is essential. Holecron is able to work with the original purchaser to make an appropriate product selection to the extent of the limited information that the customer can provide, but it is virtually impossible for Holecron to design a system that foresees every unknown factor. For this reason, this Warranty does not cover problems caused by improper design, configuration or installation issues.

Any statement from a Holecron employee or agent regarding a customer's bill of goods and/or purchase order is NOT an acknowledgment that the

products purchased are designed and configured correctly. The purchase agrees and acknowledges that it is the customer's responsibility to adhere strictly to all information contained in the Product Specification Sheets. There is often more than one way to design, configure and layout an LED lighting application properly to achieve the same lighting effect.

Holecron strongly recommends that licensed professionals be used in the design and installation of lighting systems that include Holecron products. The specifications include important information that a designer and installer should carefully review and strictly follow. Qualified designers and certified and/or licensed installers, with access to the final installation environment, customer goals, and Holecron product specifications can make the requisite decisions appropriate for a successful finished lighting application.

## HOLECTRON

HOLECTRON. All rights reserved.  
Specifications are subject to change without notice.  
Phone: +370 612 42446  
email: [info@holecron.com](mailto:info@holecron.com) | [www.holecron.com](http://www.holecron.com)